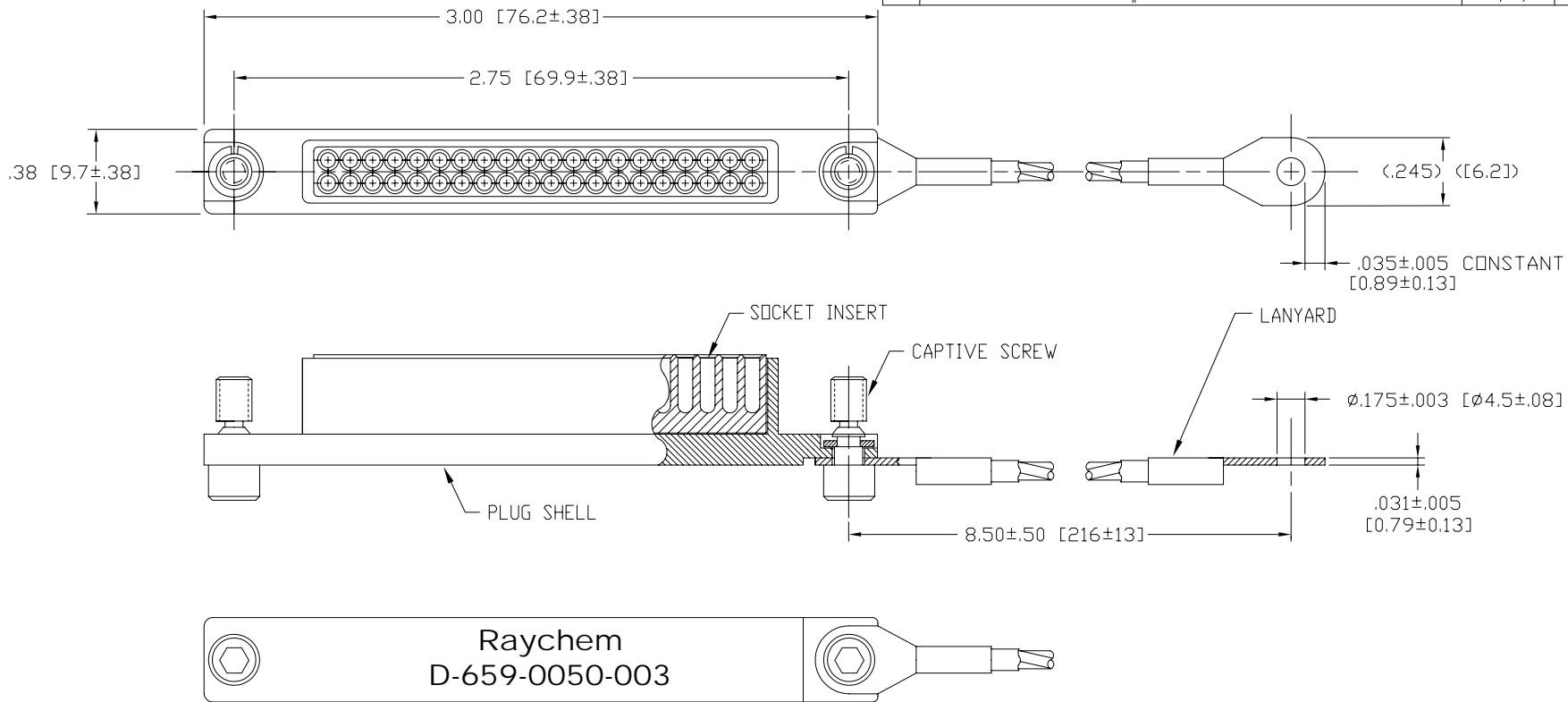


THIS DRAWING AND THE INFORMATION SET FORTH HEREON ARE THE PROPERTY OF TYCO ELECTRONICS AND ARE TO BE HELD IN TRUST AND CONFIDENCE, PUBLICATION, DUPLICATION, DISCLOSURE, OR USE FOR ANY PURPOSE NOT EXPRESSLY AUTHORIZED IN WRITING BY TYCO ELECTRONICS IS PROHIBITED.

REVISIONS			
LTR	DESCRIPTION	DATE	APPROVED
A	REVISED PER ECN #T-6834	3/14/86	J.B.
B	REDRAWN AND REVISED PER DCR# C041114	NOV/11/04	M.HIGGY



MATERIALS AND FINISH:

PLUG SHELL: ALUMINUM ALLOY PER ASTM B85 OR SAE-AMS-QQ-A225
CADMIUM PLATED PER SAE-AMS-QQ-P-416.

SOCKET INSERT: HARD PLASTIC PER ASTM D 5948

LANYARD: STAINLESS STEEL, 302, 304 OR 18-8, NYLON COATED
EYELET'S CADMIUM PLATED PER SAE-AMS-QQ-P-416.

CAPTIVE SCREW: STAINLESS STEEL PER SAE-AMS-5737
CADMIUM PLATED PER SAE-AMS-QQ-P-416.

SEALING:
PROTECTIVE CAP DESIGNED TO ENVIRONMENTALLY SEAL THE MATING
RECEPTACLE CONNECTOR, 2 INCH MTC 100 SERIES WITH PIN CONTACTS.

SPECIFICATION CONTROL DRAWING

© 2004 Tyco Electronics Corporation. All rights reserved.

UNLESS OTHERWISE SPECIFIED DIMENSIONS ARE IN INCHES. METRIC DIMENSIONS ARE IN BRACKETS.	DRAWN	ZS.ORBAN	OCT/22/04	tyco Electronics	Tyco Electronics Corporation 300 Constitution Drive Menlo Park, CA. 94025 U.S.A.	Raychem		
	CHECKED							
	DECIMALS	.XXX ±.010 [0.25 mm]			TITLE PROTECTIVE CAP, PLUG WITH SOCKET INSERT, 2 INCH MTC 100 SERIES CADMIUM PLATED			
	ANGLES	.X ±			SIZE	CAGE CODE:	DWG. NO.	REV
WEIGHT:	19 Grams Max. [0.042 Lb Max.]	APPROVED	M.HIGGY	OCT/22/04	C	06090	D-659-0050-003	B
		CAD NAME	C041114.dwg			DO NOT SCALE THIS DRAWING		
		THIRD ANGLE PROJECTION	- 3 - 0 -			SHEET 1 OF 1		

If this document is printed it becomes uncontrolled.
Check for the latest revision.

DWG. NO. D-659-0050-003 SHEET 1