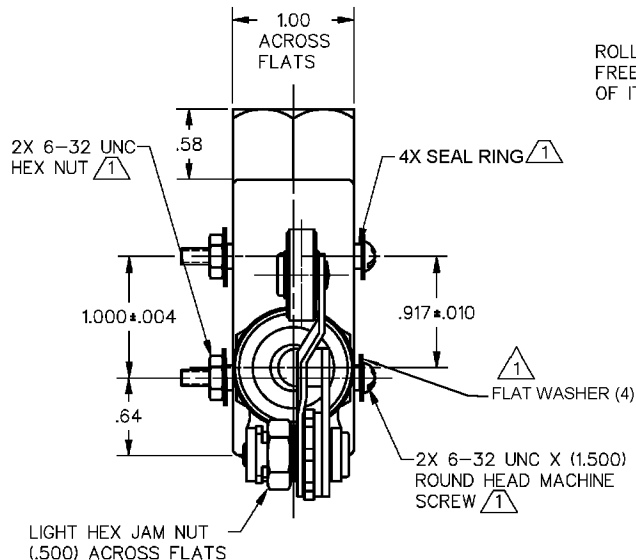


HONEYWELL
PART NUMBER
BME6-2RN2

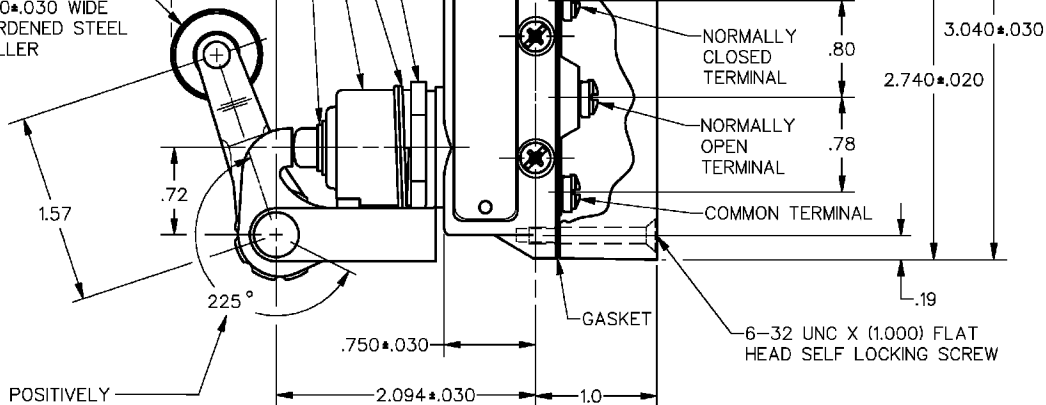
| REV | DOCUMENT | CHANGED BY | CHECK |
|-----|----------|------------|-------|
| A | 0026406 | BS 30NOV06 | KSR |



ELASTOMER PLUNGER SEAL SECURED TO COMPONENTS BY EXTERNAL BANDING

ROLLER LEVER IS SHOWN IN ITS FREE POSITION AT ONE EXTREME OF ITS ADJUSTABLE RANGE

Ø.750 ± .030 X .250 ± .030 WIDE HARDENED STEEL ROLLER



ROLLER LEVER MAY BE POSITIVELY LOCKED AT INTERVALS OF APPROXIMATELY 0.2° WITHIN A RANGE OF 225° (1238 POSITIONS)

NOTE

- (1) FURNISHED UNASSEMBLED
- 2 - ROLLER LEVER BRACKET ASSEMBLY MAY BE SET AT ANY POSITION AROUND AXIS OF PLUNGER
- 3 - 3X 6-32 UNC X (.219) BINDING HEAD TERMINAL SCREW AND CUPWASHER
- 4 - SEAL RATING: NEMA 1,3,4 IP66

| CHARACTERISTICS | ELECTRICAL DATA |
|--|--------------------------------|
| OPERATING FORCE ----- 10-20 OZ | CONTACT ARRANGEMENT S P D T |
| RELEASE FORCE ----- 6 OZ MIN | |
| PRETRAVEL ----- .188 MAX | L101 22A 125, 250 OR 480 VAC |
| DIFFERENTIAL TRAVEL ----- .0004-.0020 | 1/4HP 125 VAC; 1/2HP 250 VAC |
| OVERTRAVEL ----- .219 MIN | 1/2A 125 VDC; 1/4A 250 VDC |
| BASIC SWITCH REPLACEMENT ----- BM-2RN770 | CE 1.5A, 240 Vac |

DESIGN UNITS: INCH

TOLERANCES UNLESS NOTED:

| | | | |
|-------------|-------|---|--------|
| NO PLACE | X | ± | 0.040 |
| ONE PLACE | .X | ± | 0.030 |
| TWO PLACE | .XX | ± | 0.015 |
| THREE PLACE | .XXX | ± | 0.005 |
| FOUR PLACE | .XXXX | ± | 0.0005 |
| ANGLES | | ± | 2 |

THIRD ANGLE PROJECTION

| | | |
|--|-----|---------|
| DRAWN | GWE | 02OCT06 |
| CHECK | KSR | 23NOV06 |
| THIS DRAWING COVERS A PROPRIETARY ITEM AND IS THE PROPERTY OF HONEYWELL. THIS DRAWING IS NOT TO BE COPIED OR USED WITHOUT THE PERMISSION OF HONEYWELL. | | |
| INTERPRET PER ASME Y14.5M-1994 OTHER HONEYWELL ENGINEERING STANDARDS MAY APPLY | | |
| RASTER | | |

| | | | |
|-----------------------------------|---------------|------------------|----------|
| Honeywell | | | |
| TITLE SWITCH - ENCLOSED | | | |
| SIZE | TYPE | DRAWING NAME | REV |
| A | I | BME6-2RN2 | A |
| SCALE | WEIGHT | SHEET | |
| | .71 LB | 1 OF 1 | |