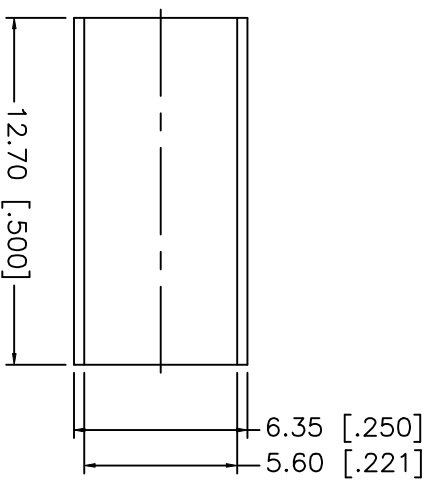
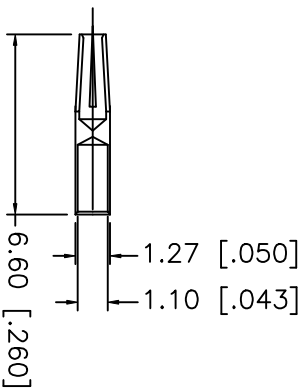
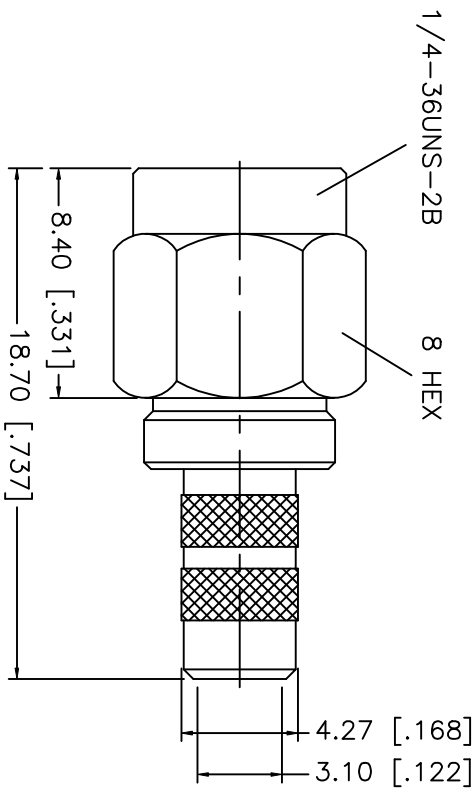
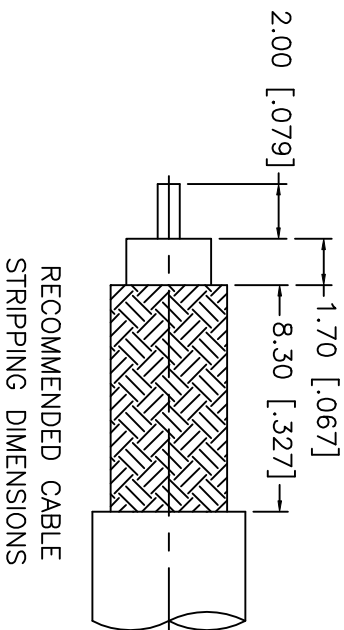


REV.	DATE	DESCRIPTION
NC	01/26/01	UPDATE TITLE BLOCK



CRIMP NOTES:

1. CRIMPED FERRULE HEX CRIMP SIZE .213"
2. SOLDER CENTER CONTACT

8																			
7																			
6																			
5																			
4	FERRULE	COPPER	GOLD																
3	CONTACT PIN	BER. COPPER	GOLD																
2	INSULATOR	TEFLON	NATURAL																
1	BODY	BRASS	GOLD																
	DESCRIPTION	MATERIAL	FINISH																

UNLESS OTHERWISE SPECIFIED DIMENSIONS ARE IN MILLIMETERS
DIMENSIONS IN [] ARE IN INCHES FOR CUSTOMER REFERENCE ONLY

APPROVALS		DATE
DRAWN	G.R.S.	01/26/01
CHECKED		
ISSUED		

TITLE
SMA REVERSE POLARITY CRIMP PLUG
(FOR RG-55/U, 142A/U, 223/U, 400/U)

Amphenol - Connex
CONNECTOR CORPORATION

UNLESS OTHERWISE SPECIFIED TOLERANCES FOR INCHES ARE:
.XXX = ± 0.005"
.XX = ± 0.010"
.X = ± 0.020"
DO NOT SCALE DRAWING

SIZE	FSOM NO.	DWG. NO.
A	99001	132195RP.DWG

SCALE	PART NO.	SHEET	REV.
NA	132195RP	1 OF 1	A