

SPECIFICATIONS:

Analog I/Os: (See Note 1)

- 0 - 5 V DC output, 8 - 30 V DC input, 35 mA max.
- 0.5 - 4.5 V DC output, 8 - 30 V DC input, 35 mA max.
- 0 - 10 V DC output, 12 - 30 V DC input, 35 mA max.
- 4 - 20 mA DC output, 18 - 30 V DC input, 60 mA max. (75 C max.)

Measuring Ranges: See range table

Zero and Full Scale: SenSet Adjustable

Linearity Error: ±0.15% of FSO (Full Span Output) typical, ±0.25% max.

Resolution: 0.025% of FSO

Update Rate: 300 Hz nominal

Operating Temperature Range: -20 to 85 C (-40 to 105 C extended temp.)

Temperature coefficient: ±0.015% of FSO/K

Humidity: 95% RH non-condensing

Vibration: 5 - 20 Hz, 0.5 inch p-p; 20 - 2000 Hz, 4.2 g p-p

Shock: 1000 g, 11 msec.

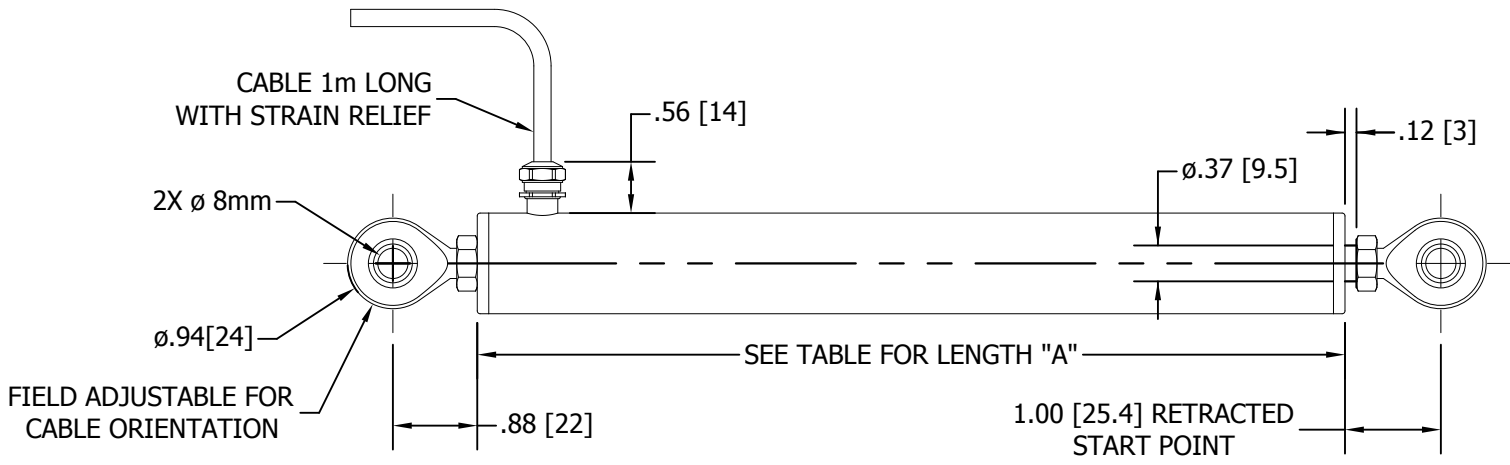
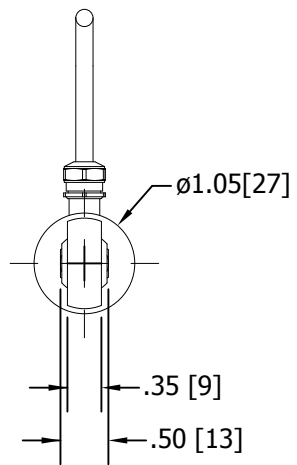
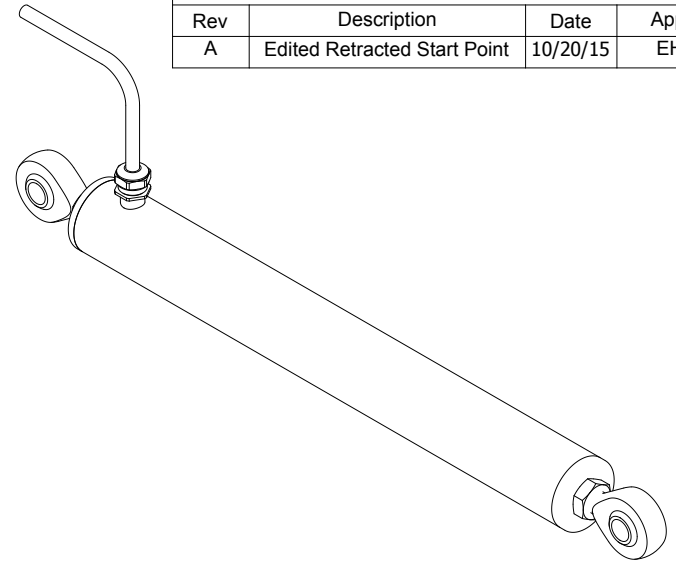
Sealing: IEC IP-67

Note 1: Analog output is maximum with rod extended;
see technical data sheet to specify reversed output.

Specifications are subject to change without notice.

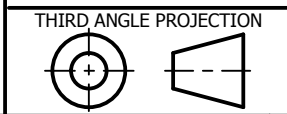
I/O Function	Cable Color
+ Power Input	Red
Ground	Black
Analog output	Green
SenSet™	White

Rev	Description	Date	App.
A	Edited Retracted Start Point	10/20/15	EH



UNLESS OTHERWISE SPECIFIED:
 1. DO NOT SCALE DRAWING
 2. DIMENSIONS ARE IN INCHES
 3. INTERPRET PER ANSI Y14.5M-1994
 4. DEBURR/BREAK SHARP EDGES
 5. DIMS ARE BEFORE FINISH
 6. (DATA) FOR REFERENCE ONLY

TOLERANCES
 DECIMAL .XX .010 .XXX .005
 ANGULAR .5°



DRAWN G Miller 10/14/15
ENGINEER
CHECKED
QA
MFG
APPROVED: XX XXXXXX 10/14/15

ALLIANCE SENSORS GROUP
 A DIVISION OF H. G. SCHAEVITZ LLC
 MOORESTOWN, NEW JERSEY USA alliancesensors.com

TITLE
LRLx-27-XXX-R SERIES LVIT OUTLINE

SIZE A	DWG NO 3000-0016-XX	REV A
SCALE NONE	SHEET 1 OF 1	

NOMINAL RANGE	"A" BODY LENGTH
10.0 INCHES [250 mm]	13.50 INCHES [342.9 mm]
12.0 INCHES [300 mm]	15.50 INCHES [393.7 mm]
14.0 INCHES [350 mm]	17.50 INCHES [444.5 mm]
16.0 INCHES [400 mm]	19.50 INCHES [495.3 mm]
18.0 INCHES [450 mm]	21.50 INCHES [546.1 mm]