





| PACIFIC VERSION TERMINATOR INTERFACE ADAPTER | PART NUMBER | REVISION | DESCRIPTION              | FEED TYPE                      | APPLICATOR STYLE CONVERSION CHART |                       |           |             |           |           |                        |
|--|-------------|----------|--------------------------|--------------------------------|-----------------------------------|-----------------------|-----------|-------------|-----------|-----------|------------------------|
|  |             |          |                          |                                | CONVERT TO                        | PART NUMBERS REQUIRED |           |             |           |           |                        |
|  | 2-2151120-1 | A        | FINE CRIMP HEIGHT ADJUST | MECHANICAL                     | PNEUMATIC FEED                    | 2119950-1             | 1338685-1 | 5-18022-5   | 2119641-2 | 2119799-1 | 2063440-1              |
|  |             |          |                          |                                | SERVO LATCH PLATE                 | 2119951-1             | -         | 8-2151120-5 | 1901094-3 | -         | 2168400-6 (QUANTITY 2) |
|  |             |          |                          |                                | SMART APPLICATOR                  | 2161326-1             | -         | 8-2151120-4 | -         | -         | -                      |
|  | 2-2151120-2 | A        | FINE CRIMP HEIGHT ADJUST | PNEUMATIC                      | MECHANICAL FEED                   | 2119949-1             | 1338685-1 | 5-18022-5   | 2119653-2 | -         | -                      |
|  |             |          |                          |                                | SERVO LATCH PLATE                 | 2119951-1             | -         | 8-2151120-5 | 1901094-3 | -         | 2168400-6 (QUANTITY 2) |
|  |             |          |                          |                                | SMART APPLICATOR                  | 2161326-1             | -         | 8-2151120-4 | -         | -         | -                      |
|  | 2-2151120-5 | A        | FINE CRIMP HEIGHT ADJUST | SERVO LATCH PLATE <sup>4</sup> | MECHANICAL FEED                   | 2119949-1             | 1338685-1 | 5-18022-5   | 2119653-2 | -         | -                      |
|  |             |          |                          |                                | PNEUMATIC FEED                    | 2119950-1             | 1338685-1 | 5-18022-5   | 2119641-2 | 2119799-1 | 2063440-1              |
|  | 2-2151120-7 | A        | FINE CRIMP HEIGHT ADJUST | NONE                           | -                                 | -                     | -         | -           | -         | -         | -                      |
|  | 7-2151120-7 | A        | CRIMP TOOLING KIT        | -                              | -                                 | -                     | -         | -           | -         | -         | -                      |

| APPLICATOR DATA                      |                |      |
|--------------------------------------|----------------|------|
| CRIMP                                | SIZE           | TYPE |
| WIRE                                 | 1.40 mm [.055] | F    |
| INSUL                                | 2.29 mm [.090] | F    |
| APPLICATOR INSTRUCTIONS<br>408-10389 |                |      |

| TERMINAL DATA: TE TERMINAL                                    |             | TE CRIMP SPECIFICATION       |             |
|---|-------------|------------------------------|-------------|
| TERMINAL NAME: AMP UNIVERSAL POWER CONNECTOR REC& TAB CONTACT |             |                              |             |
| WIRE STRIP LENGTH   |             | INSULATION DIAMETER RANGE    |             |
| 2.70-3.70 mm [.106-.146 IN]                                   |             | Ø0.90-2.00 mm [.035-.079 IN] |             |
| TERMINAL APPLICATION SPECIFICATION                            | 114-5142    | -                            | -           |
| TERMINALS APPLIED   |             |                              |             |
| TE TERMINAL   | TE TERMINAL | TE TERMINAL                  | TE TERMINAL |
| 175149-1  | 175149-2    | 175149-3                     | 175151-1    |
| 175151-2  | 175151-4    | 175151-5                     |             |

| WIRE SIZE                     | CRIMP HEIGHT mm [INCH]     | CRIMP HEIGHT REFERENCE SETTING |
|-------------------------------|----------------------------|--------------------------------|
| 22 AWG OR 0.34mm <sup>2</sup> | 0.93+/-0.05 [.037+/-0.002] | 7.0                            |
| 24 AWG OR 0.22mm <sup>2</sup> | 0.85+/-0.05 [.033+/-0.002] | 7.8                            |
| 26 AWG OR 0.14mm <sup>2</sup> | 0.80+/-0.05 [.031+/-0.002] | 8.2                            |

- RECOMMENDED SPARE PARTS
- GREASE BEARING SURFACES LIGHTLY
- 3. LUBRICATE DAILY PER THE APPLICATOR INSTRUCTION SHEET SUPPLIED WITH THE APPLICATOR.
- APPLICATOR SPECIFIC DATA TO BE ENTERED INTO BLANK MEMORY CHIP AT ASSEMBLY. SEE BELOW FOR PART NUMBER:  
 MECHANICAL FEED WITH "SMART APPLICATOR" CONVERSION: 8-2151120-4  
 PNEUMATIC FEED WITH "SMART APPLICATOR" CONVERSION: 8-2151120-4  
 SERVO FEED WITH "FINE CRIMP HEIGHT ADJUST": 8-2151120-5
- 5. ADJUSTMENT OF THE STRIPPER MAY BE REQUIRED WHEN MOVING THE APPLICATOR BETWEEN BENCH AND LEADMAKER APPLICATIONS.
- APPLY PART NUMBER 1-23419-5 LOCTITE TO THREADS OF ITEMS 50 & 62. APPLY PART NUMBER 2-23419-6 LOCTITE TO THREADS OF ITEMS 242.
- GREASE THREADS, GROOVE AND O-RING ON ITEMS 139 & 152.
- MAGNET MUST BE ORIENTED CORRECTLY IN ORDER TO PROPERLY ACTUATE THE COUNTER.
- CRIMP HEIGHT REFERENCE SETTING WAS THE SETTING USED WHEN THE APPLICATOR WAS QUALIFIED AT THE FACTORY. ADJUSTMENT MAY BE NECESSARY WHEN RUNNING APPLICATOR IN THE FIELD.
- SPARE FEED CAM STORAGE LOCATION REFER TO INSTRUCTION SHEET FOR ADDITIONAL INFORMATION.
- TO CONVERT THE APPLICATOR TO A NON-CARRIER CUTTING STYLE, REMOVE ITEM 13 AND ATTACH TO THE LOCATION ON BACK SIDE OF THE HOUSING. REFER TO INSTRUCTION SHEET FOR ADDITIONAL INFORMATION.

**\*WARNING**  
 ON INSTALLATION, SET WIRE DISC, ITEM 40 TO LARGEST WIRE SIZE SETTING. USE OF SETTINGS BELOW MINIMUM REQUIRED CRIMP HEIGHT SETTING WILL CAUSE DAMAGE TO CRIMP TOOLING.

|     |     |     |     |     |           |                                     |         |
|-----|-----|-----|-----|-----|-----------|-------------------------------------|---------|
| -   | 1   | 1   | 1   | 1   | 2119782-1 | FINE ADJUST HEAD ASM, PACIFIC STYLE | 251     |
| -   | -   | -   | 1   | -   | 2119640-1 | PUSH ROD, AIR FEED                  | 250     |
| -   | -   | -   | 1   | -   | 2079988-1 | BUSHING, LCH5-12, MISUMI            | 249     |
| -77 | -27 | -25 | -22 | -21 | PART NO   | DESCRIPTION                         | ITEM NO |

**PACIFIC VERSION**  
 Shown on sheets 3 of 4 & 4 of 4  
 (Atlantic version shown on sheets 1 of 4 & 2 of 4)

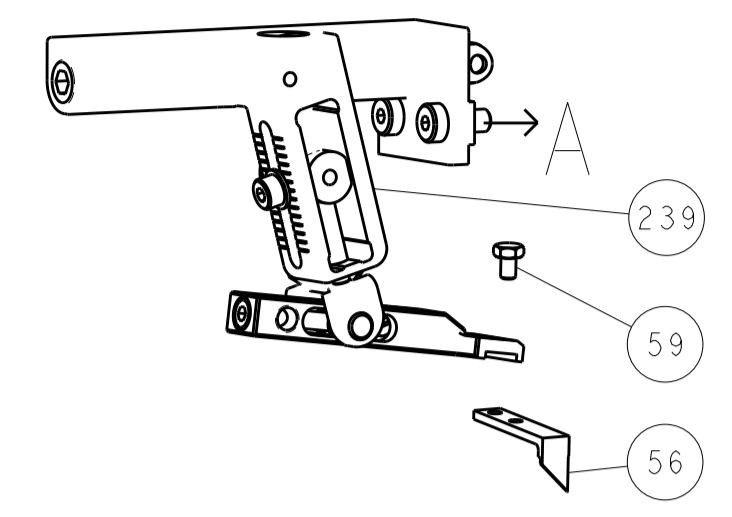
| SET UP GAUGE | LOC | DIST | REVISIONS |     |             |      |     |      |
|--------------|-----|------|-----------|-----|-------------|------|-----|------|
| 2119599-1    | A   | 66   | P         | LTN | DESCRIPTION | DATE | OWN | APVD |
|              |     |      | -         | -   | SEE SHEET 1 | -    | -   | -    |

|   |     |     |     |     |             |                                     |     |
|---|-----|-----|-----|-----|-------------|-------------------------------------|-----|
| - | 1   | 1   | 1   | 1   | 1-22279-3   | SPRING, COMPRESSION                 | 246 |
| - | 1   | 1   | 1   | 1   | 2119082-9   | CAM, SNAIL, INSULATION ADJUSTMENT   | 244 |
| - | 1   | 1   | 1   | 1   | 2079764-1   | WASHER, WAVE SPRING, CREST-TO-CREST | 243 |
| - | 1   | 1   | 1   | 1   | 2119083-1   | RETAINER, INSULATION DIAL           | 242 |
| - | 1   | 1   | 1   | 1   | 7-18023-7   | SCR, SKT HD CAP M3 X 4.0            | 241 |
| - | -   | 2   | -   | -   | 2168400-6   | SHCS, LOW HEAD, RoHS, M5 X 16       | 240 |
| - | -   | -   | -   | 1   | 2119580-1   | MECHANICAL FEED ASSEMBLY            | 239 |
| - | -   | -   | 1   | -   | 2063440-1   | AIR FEED MODULE                     | 238 |
| - | 2   | 2   | 2   | 2   | 1655785-9   | SCR, BTN SKT HD CAP (M3 X 6)        | 230 |
| - | -   | 1   | -   | -   | 2119740-2   | TAG, IDENTIFICATION                 | 213 |
| - | -   | 1   | -   | -   | 1901094-3   | SPACER, FEEDER                      | 198 |
| - | 1   | 1   | 1   | 1   | 2-1976053-5 | LOCATER BLOCK, TERMINAL             | 179 |
| - | 1   | 1   | 1   | 1   | 993111-1    | PIN, SLOTTED SPRING 3.0 X 20.0      | 177 |
| - | 1   | 1   | 1   | 1   | 8-22280-7   | SPRING, COMPRESSION                 | 176 |
| - | 1   | 1   | 1   | 1   | 1752353-2   | GUIDE PIN, HOLDDOWN                 | 175 |
| - | 1   | 1   | 1   | 1   | 1901680-2   | GUIDE PIN, HOLDDOWN                 | 174 |
| - | -   | -   | 2   | -   | 21045-3     | RING, RETAIN, EXTERN, 3/16 CRESCENT | 172 |
| - | 1   | 1   | 1   | 1   | 994969-1    | MAGNET, RARE EARTH HIGH ENERGY      | 166 |
| - | REF | REF | REF | REF | 994970-2    | COUNTER, MAGNETIC                   | 164 |
| - | -   | -   | 1   | -   | 240638-1    | SPRING, FEED FINGER                 | 163 |
| - | 1   | 1   | 1   | 1   | 8-21084-1   | O-RING, .801 ID, .070 DIA. MAT.     | 152 |
| - | -   | -   | 1   | -   | 2119641-2   | FEED CAM, AIR FEED                  | 151 |
| - | 1   | 1   | 1   | 1   | 2119798-2   | DETENT PIN                          | 145 |
| - | 1   | 1   | 1   | 1   | 2079383-8   | SCR, BHSC, RoHS (M4 X 16)           | 144 |
| - | 4   | 4   | 4   | 4   | 2168400-5   | SHCS, LOW HEAD, RoHS, M4 X 20       | 143 |
| - | -   | -   | -   | 1   | 2119653-2   | FEED CAM, POST FEED                 | 142 |
| - | 1   | 1   | 1   | 1   | 1-2119656-0 | APPLICATOR BASIC ASSEMBLY, SF       | 141 |
| - | 1   | 1   | 1   | 1   | 2119650-1   | RAM, ASIAN STYLE, SIDE FEED         | 140 |
| - | 1   | 1   | 1   | 1   | 2119092-2   | BOLT, ADJUSTMENT                    | 139 |
| - | -   | -   | 1   | -   | 3-23627-7   | PIN, RETAIN, GRVD, 3/16 X .854      | 137 |
| - | -   | -   | 1   | -   | 2119799-1   | HOLDER, FEED FINGER, AF             | 136 |
| - | -   | REF | -   | -   | SEE NOTE 4  | MEMORY CHIP, PROGRAMMED             | 135 |
| - | -   | 1   | -   | -   | 1633743-1   | SERVO FEED LATCH ASM                | 133 |
| - | 1   | 1   | 1   | 1   | 1-18028-2   | WASHER, FLAT, REG M4                | 119 |
| - | -   | REF | -   | -   | 2119944-1   | FEED FINGER ASSEMBLY, SF            | 117 |
| - | 1   | 1   | 1   | 1   | 455888-5    | SPACER, CRIMPER                     | 82  |
| - | 1   | 1   | 1   | 1   | 2119956-1   | DOCUMENTATION PACKAGE               | 71  |
| - | 1   | -   | 1   | 1   | 2119740-1   | TAG, IDENTIFICATION                 | 67  |
| - | 2   | 2   | 2   | 2   | 2168078-1   | SCREW, DRIVE, RH, RoHS, 2 x .188    | 66  |
| - | 1   | 1   | 1   | 1   | 2119793-1   | LIMITER, ADJUSTMENT BOLT            | 63  |
| - | 3   | 3   | 3   | 3   | 992763-5    | SCR, SET, SOC, CONE POINT, M3 x 4.0 | 62  |
| - | -   | -   | 1   | 1   | 5-18022-5   | SCR, HEX HD CAP, M4 X 6.0           | 59  |
| - | -   | -   | 1   | 1   | 1338685-1   | PAWL, FEED                          | 56  |
| - | 1   | 1   | 1   | 1   | 1-5018030-0 | NUT, HEX, REG, RoHS, M3.5           | 52  |
| - | 1   | 1   | 1   | 1   | 1901681-4   | HOLDDOWN, TERMINAL                  | 51  |
| - | 1   | 1   | 1   | 1   | 2-1752354-4 | STANDOFF, HOLD-DOWN                 | 50  |
| - | -   | -   | 1   | 2   | 18023-9     | SCR, SKT HD CAP M4 X 6.0            | 49  |
| - | -   | -   | -   | 1   | 2119652-1   | FEED CAM, PRE FEED                  | 48  |
| - | 1   | 1   | 1   | 1   | 2079383-7   | SCR, BHSC, RoHS (M8 X 25)           | 41  |
| - | 1   | 1   | 1   | 1   | 2119645-1   | DISC, NUMBERED FA WIRE ADJUSTMENT   | 40  |
| - | 1   | 1   | 1   | 1   | 2119957-1   | APPLICATOR SHIM PACK                | 39  |
| - | 1   | 1   | 1   | 1   | 2119644-1   | RAM WASHER, PRECISION               | 38  |
| - | 1   | 1   | 1   | 1   | 3-1752356-3 | SUPPORT, TERMINAL                   | 34  |
| - | 2   | 2   | 2   | 2   | 2079383-5   | SCR, BHSC, RoHS (M4 X 20)           | 33  |
| - | 1   | 1   | 1   | 1   | 2161328-1   | HEX HEAD, FLANGED, M5 x 8mm LONG    | 32  |
| - | 1   | 1   | 1   | 1   | 1320908-6   | SPACER, STRIP GUIDE                 | 30  |
| - | 1   | 1   | 1   | 1   | 2119959-1   | ASSEMBLY, STRIP GUIDE               | 29  |
| - | 1   | 1   | 1   | 1   | 1-455888-0  | SPACER, CRIMPER                     | 28  |
| - | 1   | 1   | 1   | 1   | 1320928-2   | STRIP GUIDE                         | 24  |
| - | 1   | 1   | 1   | 1   | 2168083-2   | SCR, SKT HD CAP, RoHS, M4 X 8.0     | 21  |
| - | 1   | 1   | 1   | 1   | 1-18028-2   | WASHER, FLAT, REG M4                | 20  |
| - | 1   | 1   | 1   | 1   | 2119533-1   | STRIPPER, SIDE FEED                 | 19  |
| - | 1   | 1   | 1   | 1   | 2119806-1   | INSERT, SHEAR                       | 13  |
| - | 1   | 1   | 1   | 1   | 3-22280-3   | SPRING, COMPRESSION                 | 12  |
| - | 1   | 1   | 1   | 1   | 1-356885-4  | STOP, SHEAR                         | 11  |
| - | 1   | 1   | 1   | 1   | 2119805-1   | SHEAR HOLDER, FRONT                 | 10  |
| - | 1   | 1   | 1   | 1   | 462006-6    | FLOATING SHEAR, FRONT               | 9   |
| - | 1   | 1   | 1   | 1   | 3-1333201-1 | ANVIL, COMBINATION                  | 8   |
| - | 1   | 1   | 1   | 1   | 2119757-4   | DEPRESSOR, SHEAR                    | 5   |
| - | 1   | 1   | 1   | 1   | 2-238011-2  | BLOCK, CRIMPER SPACER               | 4   |
| - | 1   | 1   | 1   | 1   | 1-2119582-1 | CRIMPER, INSULATION F PREMIUM       | 3   |
| - | 1   | 1   | 1   | 1   | 455888-7    | SPACER, CRIMPER                     | 2   |
| - | 1   | 1   | 1   | 1   | 2-456402-9  | CRIMPER, WIRE PREMIUM               | 1   |

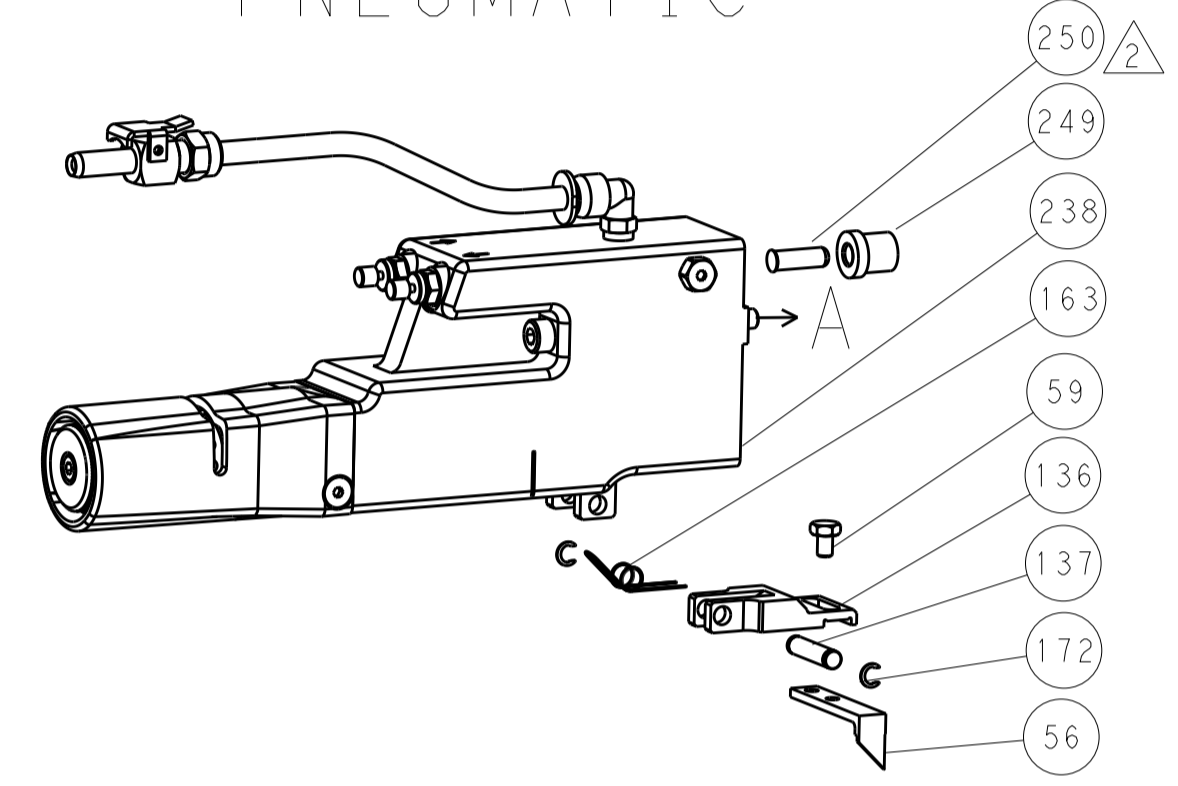
| DIMENSIONS: |         | TOLERANCES UNLESS OTHERWISE SPECIFIED: |          | DRAWN   |       | CHK   |       | APVD  |       | NAME  |  |
|-------------|---------|--|----------|---------|-------|-------|-------|-------|-------|-------|--|
| mm          | 0 PLC ± | 1 PLC ±                                | 2 PLC ±  | 3 PLC ± | S. XI | S. XI | S. XI | S. XI | S. XI | S. XI | Ocean Side Feed Applicator             |
|             | 4 PLC ± | ANGLES ±                               | FINISH ± |         |       |       |       |       |       |       | Customer Accessible Production Drawing |
| MATERIAL    |         |  |          |         |       |       |       |       |       |       | SCALE 1:2 SHEET 3 OF 4 REV A1          |

| LOC |    | DIST |     | REVISIONS   |      |     |      |
|-----|----|------|-----|-------------|------|-----|------|
| A   | 66 | P    | LTM | DESCRIPTION | DATE | DWN | APVD |
|     |    | -    |     | SEE SHEET 1 |      |     |      |

# FEED TYPE MECHANICAL



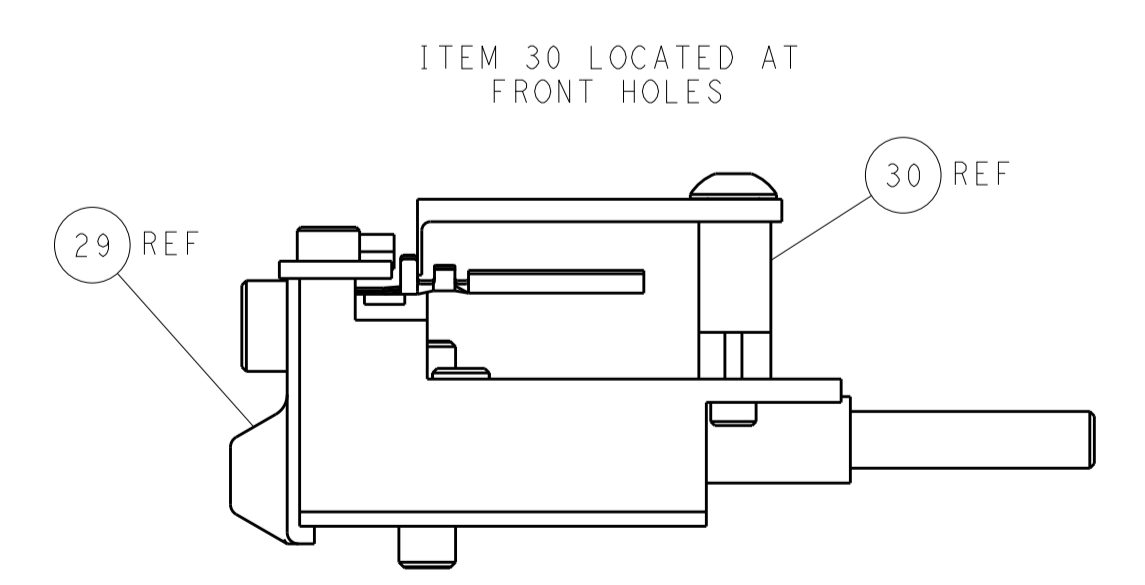
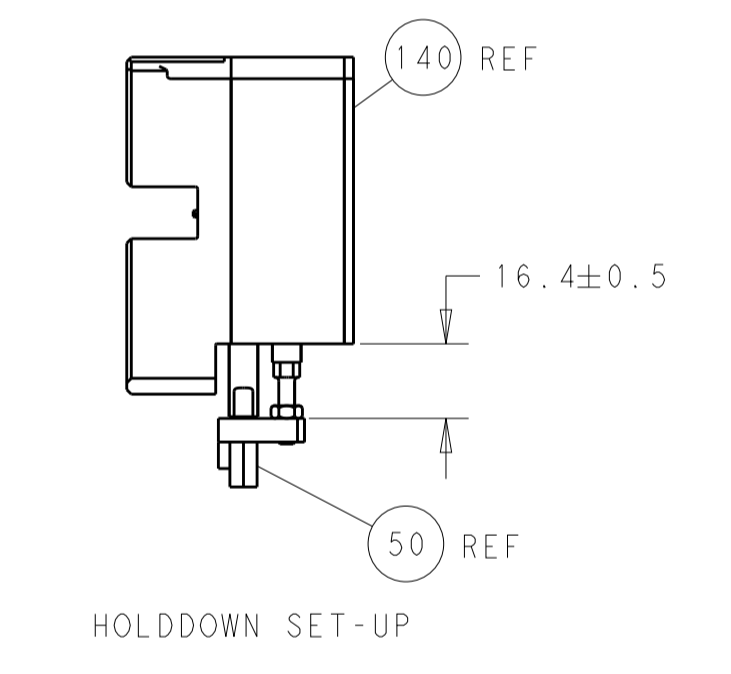
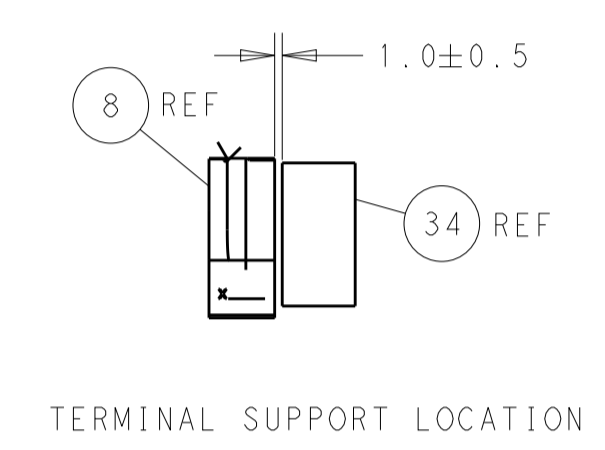
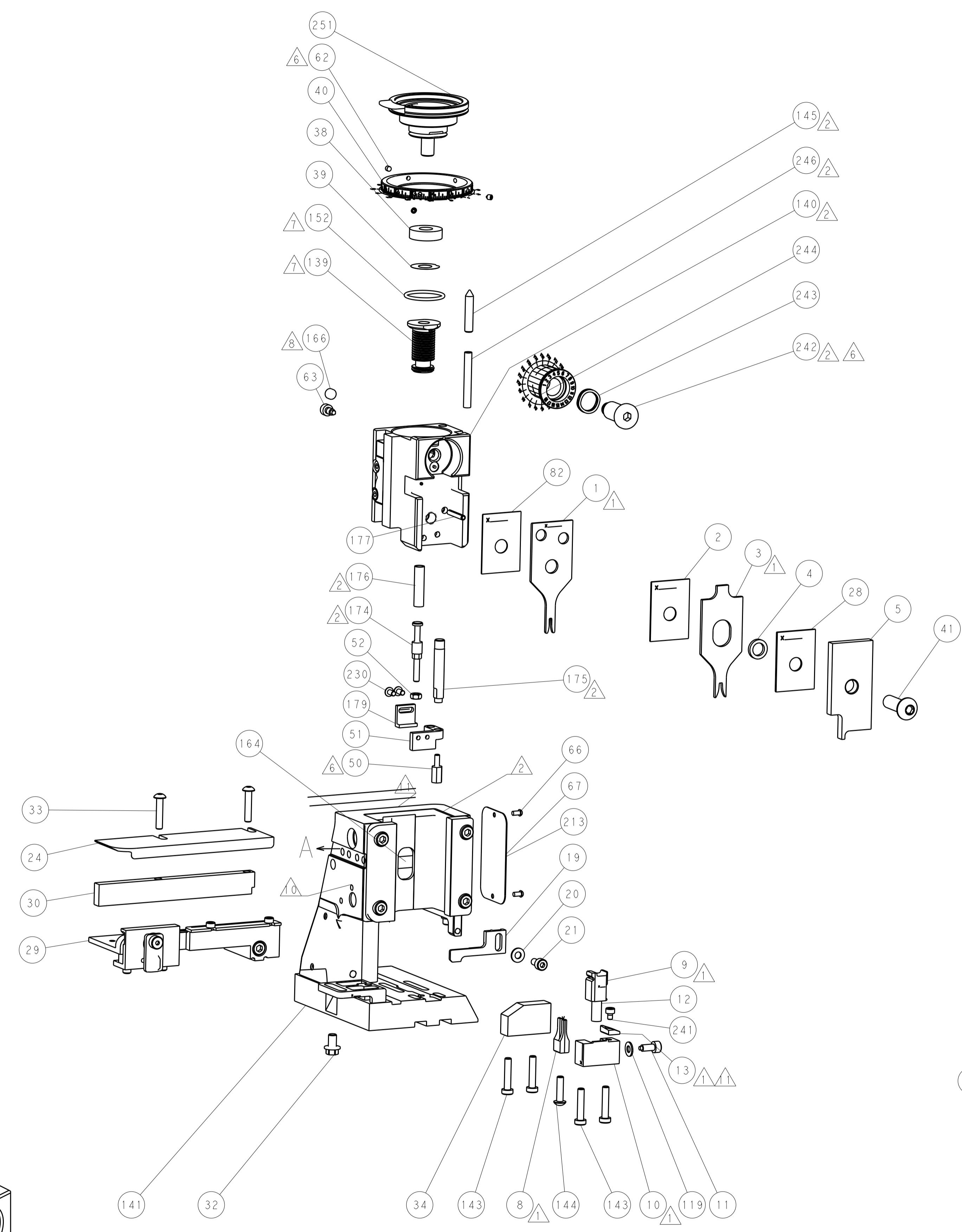
# PNEUMATIC



# SERVO LATCH PLATE



# CAM POSITIONS



FEED TRACK POSITION GUIDE BY INSULATION BARREL

**PACIFIC VERSION**  
 Shown on sheets 3 of 4 & 4 of 4  
 (Atlantic version shown on sheets 1 of 4 & 2 of 4)

|             |         |  |         |  |         |                                 |  |
|-------------|---------|--|---------|--|---------|---------------------------------|--|
| DIMENSIONS: |         | TOLERANCES UNLESS OTHERWISE SPECIFIED: |         | DWN S.ZOU 13JUN2011                    |         | TE Connectivity                 |  |
| mm          | 0 PLC ± | 1 PLC ±                                | 2 PLC ± | 3 PLC ±                                | 4 PLC ± | Harrisburg, PA 17105-3608       |  |
| MATERIAL:   |         | FINISH:                                |         | APVD S.XI 13JUN2011                    |         | NAME Ocean Side Feed Applicator |  |
|             |         |  |         | PRODUCT SPEC                           |         | SIZE CAGE CODE DRAWING NO       |  |
|             |         |  |         | APPLICATION SPEC                       |         | A1 00779 ©=2151120              |  |
|             |         |  |         | WEIGHT                                 |         | RESTRICTED TO                   |  |
|             |         |  |         | Customer Accessible Production Drawing |         | SCALE 1:2 SHEET 4 OF 4 REV A1   |  |