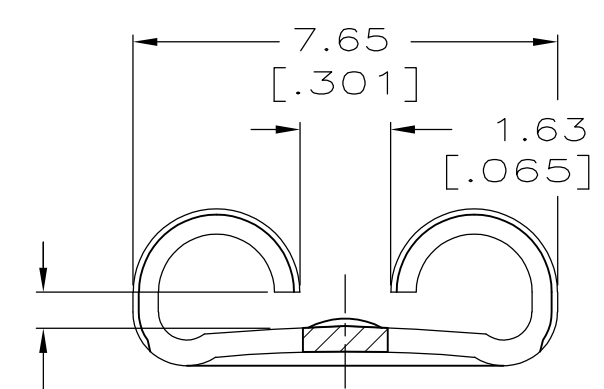
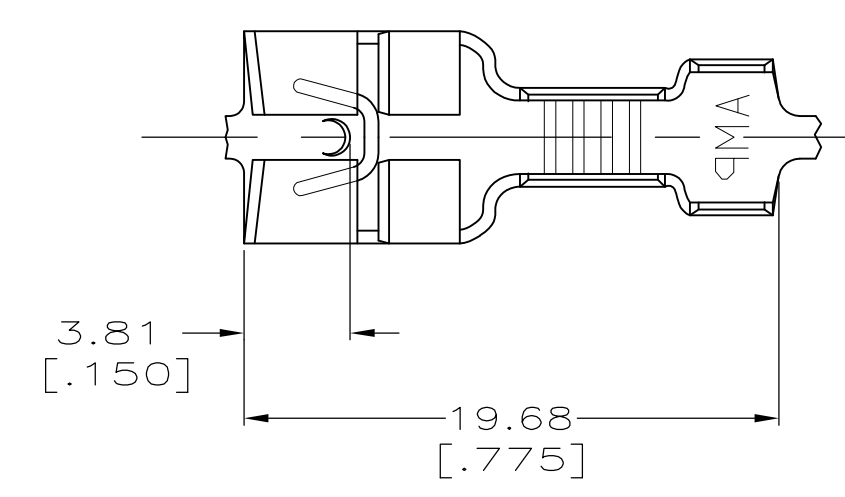


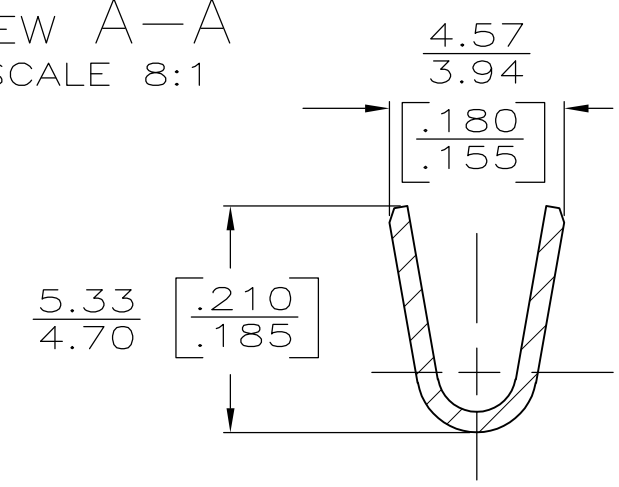
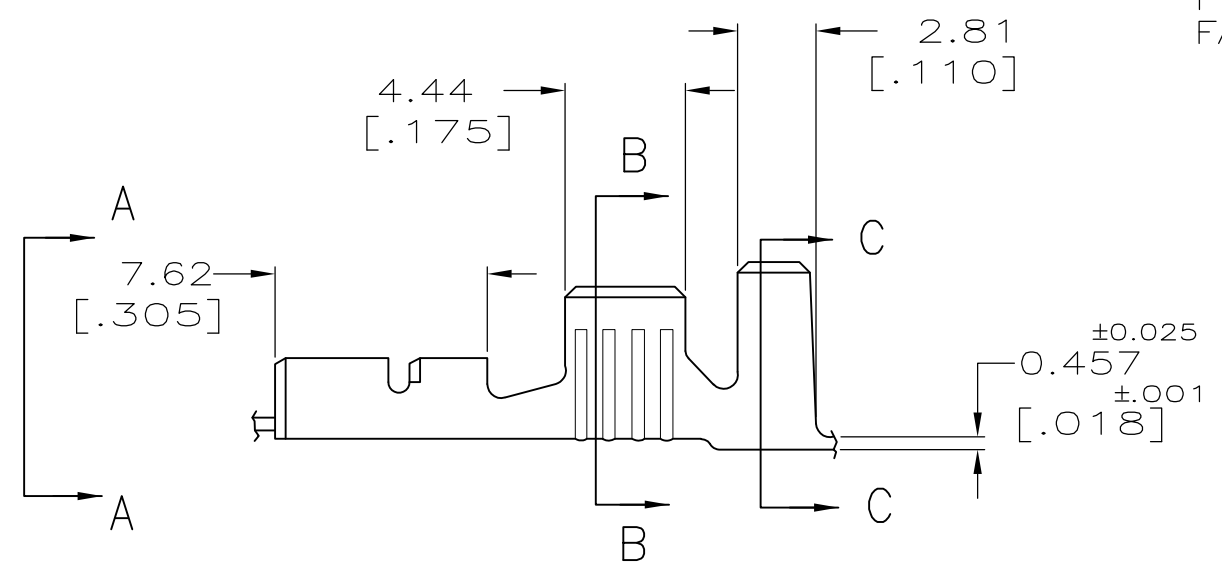
LOC	DIST	REVISIONS					
AF	50	P	LTR	DESCRIPTION	DATE	DWN	APVD
		E		REVISED PER ECR-12-013518	24NOV12	KH	PD



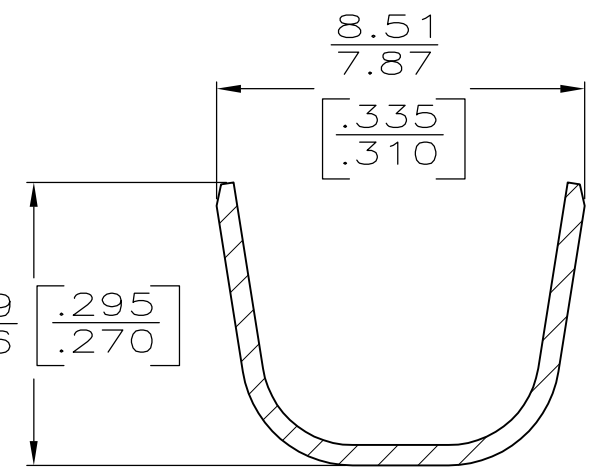
- 1 CONTINUOUS STRIP ON REELS.
- 2 MATING TAB THK TO BE 0.813±0.025 [.032±.001]

FITS 6.35 [.250] SERIES FASTON TAB

VIEW A-A
SCALE 8:1



SECTION B-B
SCALE 6:1



SECTION C-C
SCALE 6:1

5.72-6.95 OR (2) 3.56 MAX [.225-.275 OR (2).140 MAX]	2-5mm ² OR (2) 5mm ² [14-10 OR 2#14]	-	63539-2
		TIN	63539-1
INSULATION RANGE	WIRE SIZE	FINISH	PART NO

F	7.87 [.310]	5.59 [.220]	F	3.56 [.140]	1.930 [076]	2.0mm ² [14]
					2.235 [088]	3.0mm ² [12]
					2.692 [106]	5.0mm ² [10]
TYPE	WIDTH	STRIP LENGTH ±0.38 [±.015]	TYPE	WIDTH	±.051 [±.002] HEIGHT	WIRE
INSUL BARREL CRIMP			WIRE BARREL CRIMP			

THIS DRAWING IS A CONTROLLED DOCUMENT.

DIMENSIONS: mm [INCHES]	TOLERANCES UNLESS OTHERWISE SPECIFIED:
	0 PLC ± -
	1 PLC ± -
	2 PLC ± -
	3 PLC ± 0.25 [.010]
	4 PLC ± -
	ANGLES ± -
MATERIAL BRASS	FINISH SEE TABLE

DWN JR RUTH 7/31/89
 CHK MS FEHER 7/31/89
 APVD C MEYERS 7/31/89

STE TE Connectivity

NAME RECEPTACLE, FASTON, .250 SERIES

SIZE	CAGE CODE	DRAWING NO	RESTRICTED TO
A3	00779	C-63539	-

WEIGHT - APPLICATION SPEC - PRODUCT SPEC -

CUSTOMER DRAWING SCALE 4:1 SHEET 1 OF 1 REV E