

PM5369 TUPP 9953

Tributary Unit Payload Processor for 9953 Mbit/s

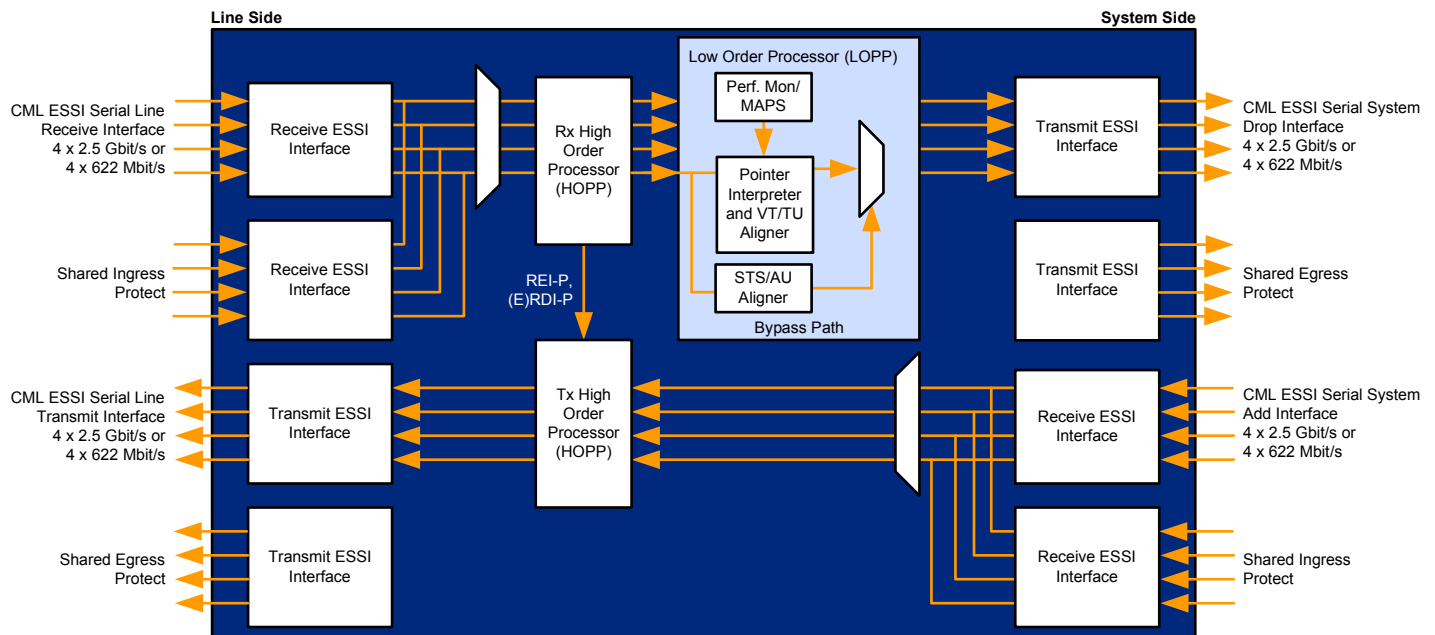
Released Product Brief



Product Highlights

- Configurable, multi-channel payload processor for aligning SONET virtual tributaries (VTs) or SDH tributary units (TUs) in an STS-192/STM-64 or STS-48/STM-16 data stream
- Supports High Order (STS/AU) pointer processing, payload processing, and path termination/monitoring
- Supports Low Order (VT/TU) pointer processing, payload processing, and path monitoring
- On the line side, provides working Serial Receive and Transmit ESSI (Extended SONET Serial Interface) CML links. Links are configurable as:
 - 4xSTS-48/STM-16 2488.32 Mbit/s SONET/SDH framed interfaces; or
 - 4xSTS-12/STM-4 622.08 Mbit/s SONET/SDH framed interfaces
- On the system side, provides working Add and Drop Serial ESSI links. Links are configurable as:
 - 4xSTS-48/STM-16 2488.32 Mbit/s SONET/SDH framed interfaces; or
 - 4xSTS-12/STM-4 622.08 Mbit/s SONET/SDH framed interfaces
- Independently configurable (2488.32 Mbit/s or 622.08 Mbit/s) Line and System Interfaces
- Provides a set of Ingress and Egress shared protection links
- Provides a per-link Space switch on egress interfaces
- Provides a steady-state latency of:
 - 21 ns from line Receive to system DROP for VT.1.5
 - 2.5 ns from system ADD to line TX
- Provides hardware based Message Assisted Protection Switching (MAPS) support to work with a centralized fabric (e.g., PM5370 WSE 40)
- Supports independent Line Receive and System Drop transport frame alignment for high-order traffic
- Supports independent transport, high-order payload and tributary multi-frame alignments for low-order traffic
- Supports independent Line Transmit and System Add transport frame alignments
- On the receive path, provides optional SDH payload conversion of:
 - AU4/VC4/TUG3/TU3/VC3/C3 to AU3/VC3/C3; or
 - AU3/VC3/C3 to AU4/VC4/TUG3/TU3/VC3/C3; or
 - AU4/VC4/TUG3/TUG2 to AU3/VC3/TUG2; or
 - AU3/VC3/TUG2 to AU4/VC4/TUG3/TUG2
- On the transmit path, provides optional SDH payload conversion of:
 - AU3/VC3/C3 to AU4/VC4/TUG3/TU3/VC3/C3; or
 - AU4/VC4/TUG3/TUG2 to AU3/VC3/TUG2; or
 - AU3/VC3/TUG2 to AU4/VC4/TUG3/TUG2
- Allows for low order (VT/TU) processing bypass
- Supports high-order ESSI transport overhead transparency
- Supports line and system diagnostic and facility loopbacks
- Provides optional PRBS generation and monitoring features for ESSI offline link verification
- Provides a generic 16-bit microprocessor bus interface for configuration, control, and status monitoring
- Provides a standard 5-signal IEEE 1149.1 JTAG test port for boundary scan test purposes

Block Diagram



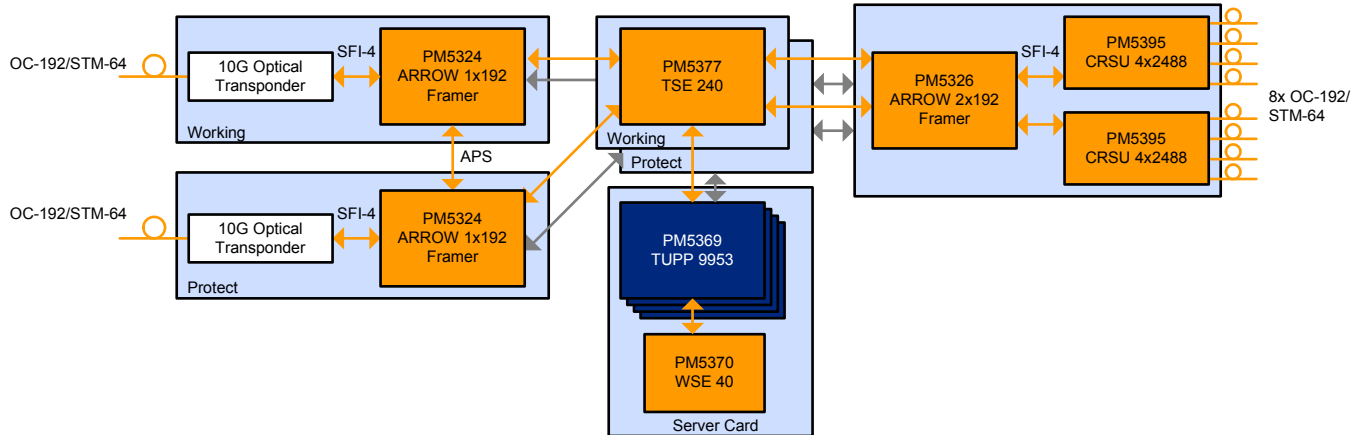
Package

- Implemented in a 1.2 V core and 2.5 V I/O 0.13µm CMOS technology. Inputs are 3.3 V tolerant
- Packaged in a 672-ball FCBGA
- Top-hat, 27 mm x 27 mm
- Power when full bandwidth is used (OC-192/STM-64 applications using 2.488 Mbit/s links) is 6.91 W typical
- Power when 1/4 bandwidth is used (OC-48/STM-16 applications using 622 Mbit/s links) is 2.64 W typical

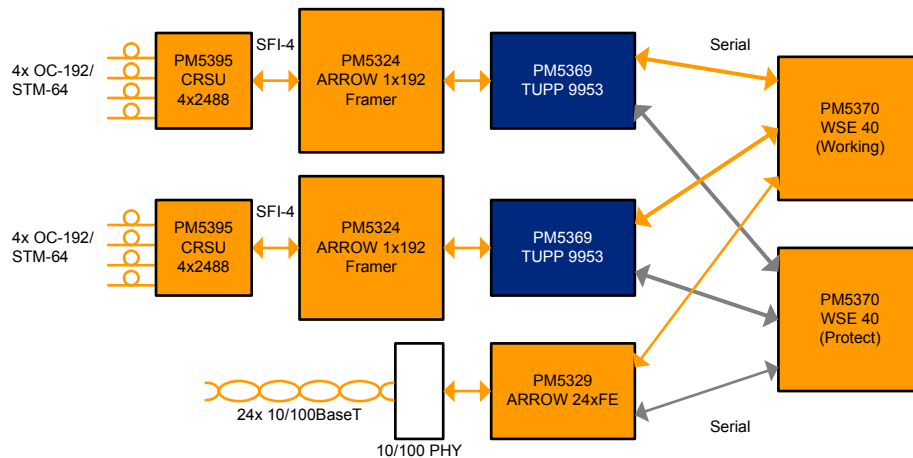
Applications

- SONET/SDH Add-Drop Multiplexer (ADM)
- SONET/SDH Digital Cross-connect (DCC)
- Multi-service Provisioning Platforms (MSPP)
- Multi-service ADM (MS-ADM)
- Multi-Service Switch
- Optical Access Mux
- Terminal Multiplexers

OC-192/STM-64 Optical Cross-Connect with 40G VT/TU Cross-Connect Server Card



OC-48/STM-16 VT/TU ADM/Cross-Connect



Further Resources

Technology Webpage

www.pmcs.com/products/optical_network/

Technical Documentation

www.pmcs.com/resources/downloads_support.html

About PMC

PMC (Nasdaq:PMCS) is the semiconductor innovator transforming networks that connect, move and store digital content. Building on a track record of technology leadership, we are driving innovation across storage, optical and mobile networks. Our highly integrated solutions increase performance and enable next generation services to accelerate the network transformation. For more information visit www.pmcs.com.

Corporate Head Office:
PMC-Sierra
1380 Bordeaux Drive
Sunnyvale, CA 94089, USA
Tel: 1.408.239.8000
Fax: 1.408.492.1157

Operations Head Office:
PMC-Sierra
8555 Baxter Place
Burnaby, BC V5A 4V7 Canada
Tel: 1.604.415.6000
Fax: 1.604.415.6200

