

**PLEASE CHECK WWW.MOLEX.COM FOR LATEST PART INFORMATION**

**Part Number:** [62201-8700](#)  
**Status:** **Active**  
**Description:** TM-42™ Termination Kit

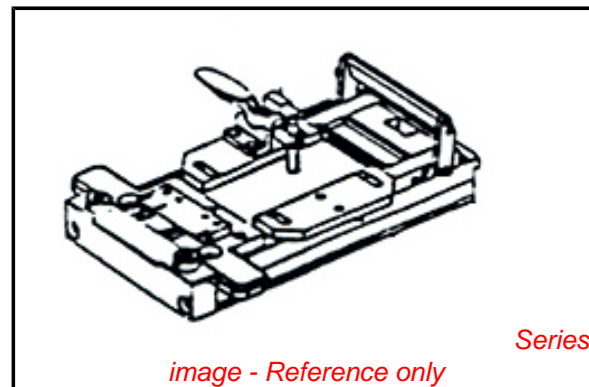
**Documents:**

[RoHS Certificate of Compliance \(PDF\)](#)

**General**

|                                |  |
|--------------------------------|--|
| Product Family                 | Application Tooling  |
| Series                         | <a href="#">T1361</a>  |
| Function                       | Insulation Displacement (IDT)  |
| Geographic Area                | Global   |
| Level of Automation            | Semi-Automatic   |
| More Detailed Tech Information | <a href="mailto:applicationtooling@molex.com">applicationtooling@molex.com</a>                           |
| Product Name                   | N/A  |
| Survey                         | <a href="http://www.molex.com//review/apptool_survey.html">www.molex.com//review/apptool_survey.html</a> |
| Tool Type                      | Terminator   |
| UPC                            | 800756610320   |

**Material Info**



**EU RoHS** **China RoHS**

**Compliance Status**

**Not Reviewed**

**REACH SVHC**

**Not Reviewed**

**Low-Halogen Status**

**Not Reviewed**

**Need more information on product environmental compliance?**

Email [productcompliance@molex.com](mailto:productcompliance@molex.com)  
 For a multiple part number RoHS Certificate of Compliance, [click here](#)

Please visit the [Contact Us](#) section for any non-product compliance questions.

**Search Parts in this Series**

[T1361Series](#)

**Use With**

[69002-5001](#) TM-42™

| <b>Application Tooling Description</b>                                      | <b>FAQ Product #</b> |
|---|----------------------|
| 2.54mm Pitch SL™ FFC/FPC Connector - Single Row Male Version D, 14 Circuits | 0015389142           |
| 2.54mm Pitch SL™ FFC/FPC Connector - Single Row Male Version D, 3 Circuits  | 0015389032           |
| 2.54mm Pitch SL™ FFC/FPC Connector - Single Row Male Version D, 2 Circuits  | 0015389022           |
| 2.54mm SL™ Single Row, Female, Version                                      | 0015388160           |

|  |            |
|--|------------|
| G Receptacle, 16<br>Circuits<br>2.54mm SL™<br>Single Row,<br>Female, Version | 0015388040 |
| G Receptacle, 4<br>Circuits<br>2.54mm SL™<br>Single Row,<br>Female, Version  | 0015388110 |
| G Receptacle, 11<br>Circuits<br>2.54mm SL™<br>Single Row,<br>Female, Version | 0015474200 |
| A Receptacle, 20<br>Circuits<br>2.54mm SL™<br>Single Row,<br>Female, Version | 0015388128 |
| A Receptacle, 12<br>Circuits<br>2.54mm SL™<br>Single Row,<br>Female, Version | 0015388148 |
| A Receptacle, 14<br>Circuits<br>2.54mm SL™<br>Single Row,<br>Female, Version | 0015388050 |
| G Receptacle, 5<br>Circuits<br>2.54mm SL™<br>Single Row,<br>Female, Version  | 0015388108 |
| A Receptacle, 10<br>Circuits<br>2.54mm SL™<br>Single Row,<br>Female, Version | 0015388060 |
| G Receptacle, 6<br>Circuits<br>2.54mm SL™<br>Single Row,<br>Female, Version  | 0015388090 |
| G Receptacle, 9<br>Circuits<br>2.54mm SL™<br>Single Row,<br>Female, Version  | 0015388080 |
| G Receptacle, 8<br>Circuits<br>2.54mm SL™<br>Single Row,<br>Female, Version  | 0015474143 |
| G Receptacle, 14<br>Circuits<br>2.54mm SL™<br>Single Row,<br>Female, Version | 0015474150 |
| A Receptacle, 15<br>Circuits<br>2.54mm SL™<br>Single Row,<br>Female, Version | 0015388120 |

|  |            |
|--|------------|
| G Receptacle, 12<br>Circuits<br>2.54mm SL™<br>Single Row,<br>Female, Version<br>A Receptacle, 13<br>Circuits | 0015388138 |
| 2.54mm SL™<br>Single Row,<br>Female, Version<br>A Receptacle, 19<br>Circuits                                 | 0015388198 |
| 2.54mm SL™<br>Single Row,<br>Female, Version<br>G Receptacle, 5<br>Circuits                                  | 0015474053 |
| 2.54mm SL™<br>Single Row,<br>Female, Version<br>G Receptacle, 12<br>Circuits                                 | 0015474123 |
| 2.54mm Pitch SL™<br>FFC/FPC Connector<br>- Single Row Male<br>Version D, 5 Circuits                          | 0015475050 |
| 2.54mm SL™<br>Single Row,<br>Female, Version<br>G Receptacle, 9<br>Circuits                                  | 0015474093 |
| 2.54mm SL™<br>Single Row,<br>Female, Version<br>A Receptacle, 5<br>Circuits                                  | 0015388058 |
| 2.54mm SL™<br>Single Row,<br>Female, Version<br>G Receptacle, 7<br>Circuits                                  | 0015388070 |
| 2.54mm SL™<br>Single Row,<br>Female, Version<br>G Receptacle, 10<br>Circuits                                 | 0015388100 |
| 2.54mm SL™<br>Single Row,<br>Female, Version<br>G Receptacle, 2<br>Circuits                                  | 0015388020 |
| 2.54mm SL™<br>Single Row,<br>Female, Version<br>G Receptacle, 14<br>Circuits                                 | 0015388140 |
| 2.54mm SL™<br>Single Row,<br>Female, Version<br>A Receptacle, 2<br>Circuits                                  | 0015388028 |
| 2.54mm SL™<br>Single Row,<br>Female, Version   | 0015388030 |

|  |            |
|--|------------|
| G Receptacle, 3<br>Circuits<br>2.54mm SL™<br>Single Row,<br>Female, Version<br>A Receptacle, 3<br>Circuits | 0015388038 |
| 2.54mm SL™<br>Single Row,<br>Female, Version<br>A Receptacle, 4<br>Circuits                                | 0015388048 |
| 2.54mm SL™<br>Single Row,<br>Female, Version<br>A Receptacle, 6<br>Circuits                                | 0015388068 |
| 2.54mm SL™<br>Single Row,<br>Female, Version<br>A Receptacle, 7<br>Circuits                                | 0015388078 |
| 2.54mm SL™<br>Single Row,<br>Female, Version<br>A Receptacle, 8<br>Circuits                                | 0015388088 |
| 2.54mm SL™<br>Single Row,<br>Female, Version<br>A Receptacle, 9<br>Circuits                                | 0015388098 |
| 2.54mm SL™<br>Single Row,<br>Female, Version<br>A Receptacle, 11<br>Circuits                               | 0015388118 |
| 2.54mm SL™<br>Single Row,<br>Female, Version<br>G Receptacle, 13<br>Circuits                               | 0015388130 |
| 2.54mm SL™<br>Single Row,<br>Female, Version<br>C Receptacle, 14<br>Circuits                               | 0015388147 |
| 2.54mm SL™<br>Single Row,<br>Female, Version<br>G Receptacle, 15<br>Circuits                               | 0015388150 |
| 2.54mm SL™<br>Single Row,<br>Female, Version<br>A Receptacle, 15<br>Circuits                               | 0015388158 |
| 2.54mm SL™<br>Single Row,<br>Female, Version<br>A Receptacle, 16<br>Circuits                               | 0015388168 |
| 2.54mm SL™<br>Single Row,<br>Female, Version   | 0015388170 |

|  |            |
|--|------------|
| G Receptacle, 17<br>Circuits<br>2.54mm SL™<br>Single Row,<br>Female, Version<br>A Receptacle, 17<br>Circuits | 0015388178 |
| 2.54mm SL™<br>Single Row,<br>Female, Version<br>G Receptacle, 18<br>Circuits                                 | 0015388180 |
| 2.54mm SL™<br>Single Row,<br>Female, Version<br>A Receptacle, 18<br>Circuits                                 | 0015388188 |
| 2.54mm SL™<br>Single Row,<br>Female, Version<br>G Receptacle, 19<br>Circuits                                 | 0015388190 |
| 2.54mm SL™<br>Single Row,<br>Female, Version<br>G Receptacle, 20<br>Circuits                                 | 0015388200 |
| 2.54mm SL™<br>Single Row,<br>Female, Version<br>A Receptacle, 20<br>Circuits                                 | 0015388208 |
| 2.54mm Pitch SL™<br>FFC/FPC Connector<br>- Single Row Male<br>Version D, 4 Circuits                          | 0015389042 |

This document was generated on 04/12/2013

**PLEASE CHECK [WWW.MOLEX.COM](http://WWW.MOLEX.COM) FOR LATEST PART INFORMATION**