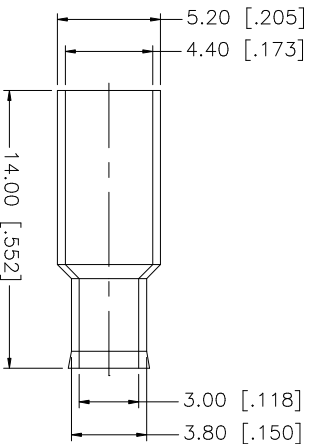
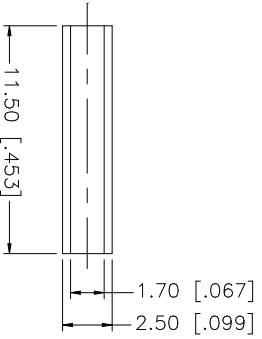
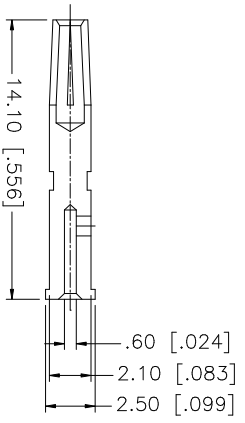
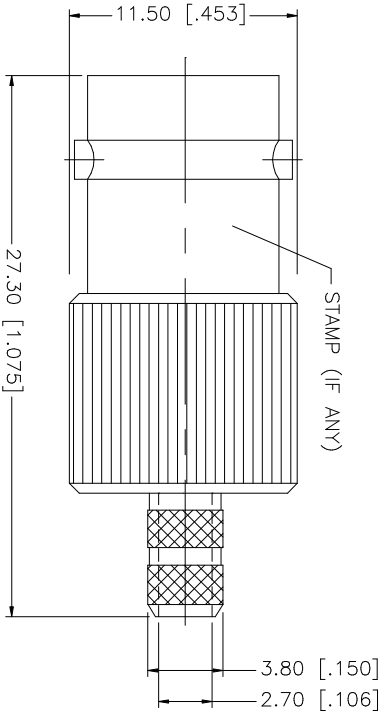
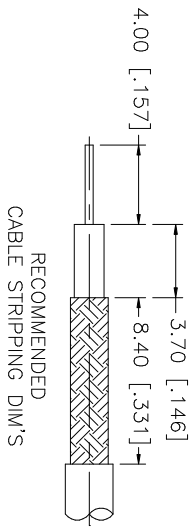


REV.	DATE	DESCRIPTION
B	04/04/03	UPDATE DRAWING FORMAT



- CRIMP NOTES:
1. CRIMPED FERRULE  
HEX CRIMP SIZE .178"
  2. CRIMPED CONTACT PIN  
HEX CRIMP SIZE .068"

DESCRIPTION	MATERIAL	FINISH	QTY	DO NOT SCALE DRAWING	APPROVALS	DATE	PART DESCRIPTION
8				UNLESS OTHERWISE SPECIFIED DIMENSIONS ARE IN MILLIMETERS. DIMENSIONS IN [ ] ARE IN INCHES AND FOR CUSTOMER REFERENCE ONLY.			<b>Amphenol Connex</b> BNC CRIMP JACK (FOR RG-174/U, 188A/U, 316/U CABLE)
7				UNLESS OTHERWISE SPECIFIED TOLERANCES FOR MILLIMETERS ARE:			
6				0.5 - 8mm ± 0.20mm			
5	FERRULE	BRASS	1	B - 30mm ± 0.40mm			
4	SLEEVE	DELFIN	1	30 - 120mm ± 0.30mm			
3	CONTACT PIN	PHOS. BRONZE	1	UNLESS OTHERWISE SPECIFIED TOLERANCES FOR INCHES ARE:			
2	INSULATOR	DELFIN	1	.020 - .315 = ± 0.002"			
1	HOUSING/BODY	BRASS	1	.315 - 1.180 = ± 0.015" 1.180 - 4.724 = ± 0.020"			
DESCRIPTION					CAD FILE		DWG. NO.
					C:/112/112160.DWG		112160.DWG
							REV. B
							SIZE A
							SCALE NA