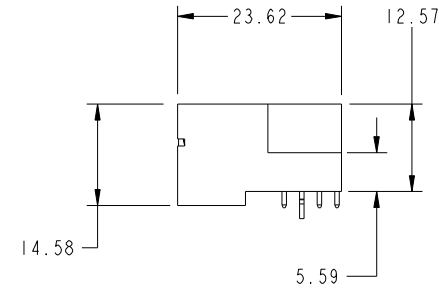
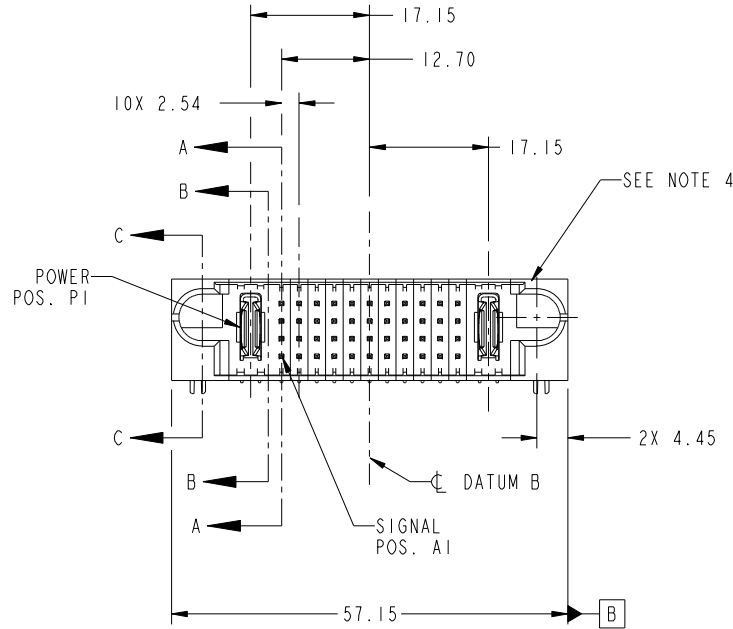


Tous droits strictement reserves. Reproduction ou communication a des tiers interdite sous quelque forme que ce soit sans autorisation écrite du propriétaire. Propriete de c FCI. Droits de reproduction FCI.

All rights strictly reserved. Reproduction or issue to third parties in any form whatever is not permitted without written authority from the proprietor. Property of FCI. Copyright FCI.



PRODUCT NO. 51730-169-- NOTE 3	ROWS D C B A	SIGNAL											P							
		E1	P1	1	2	3	4	5	6	7	8	9	10	11	P2	E2				
		PC	V	V	V	V	V	V	V	V	V	V	V	V	V	V	V	PC	HA	HA



CODE	DIM "M" MATING LENGTH	CONTACT TYPE
V	[6.86]	SIGNAL
Q	[6.86]	SIGNAL
P	[6.86]	SIGNAL
N	[6.86]	SIGNAL
PC	[N/A]	POWER
HA	[N/A]	HOLD-DOWN

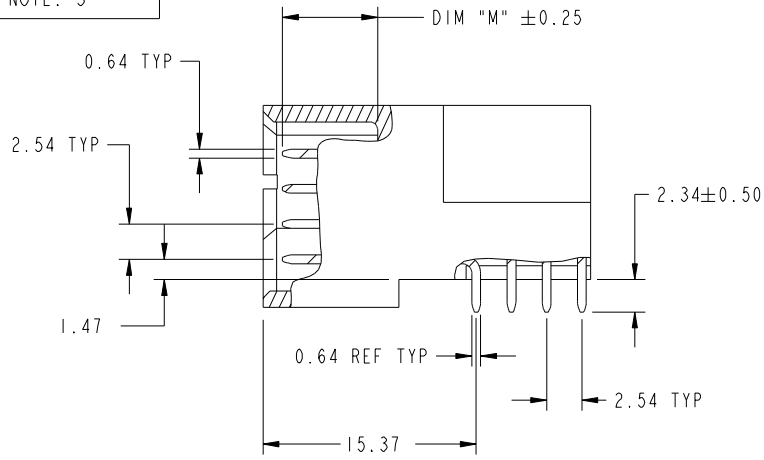
mat'l code				SEE NOTE		tolerances unless otherwise specified		CUSTOMER		FCI	
ltr	ecn no.	dr	date	linear	0.X ± 0.5	projection		COPY		www.fciconnect.com	
A	DG10-0088	AL	03/02/10	angles	0.XX ± 0.25	M		title		IP + 44 S + IP	
				dr	0.XXX ± 0.1	MM		product family		PwrBlade	
				enr	0° ± 2°	scale		size		code	
				chr	Anson Liu 03/02/10	1:1		dwg no		213	
				appd	Jerome Chen 03/02/10			A		51730-169	
					PM Zheng 03/02/10					sheet	
					JOSEPH HSIA 03/02/10					1 of 4	
sheet index	revision sheet	A	A	A	A					cage code	
1	2	3	4							22526	

Tous droits strictement reserves. Reproduction ou communication a des tiers interdite sous quelque forme que ce soit sans autorisation écrite du propriétaire. Propriete de c FCI. Droits de reproduction FCI.

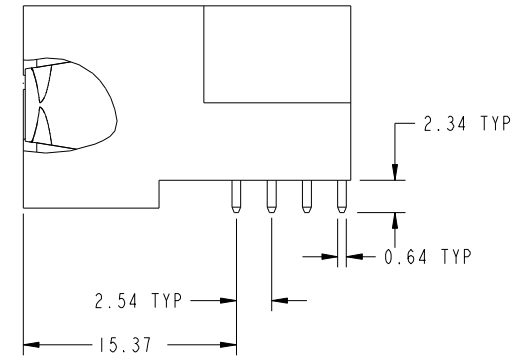
All rights strictly reserved. Reproduction or issue to third parties in any form whatever is not permitted without written authority from the proprietor. Property of FCI. Copyright FCI.



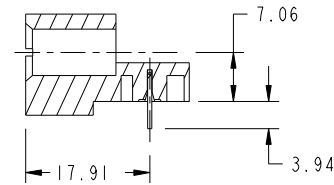
PRODUCT NUMBER  
51730-169\_\_  
NOTE: 3



BROKEN-OUT SECTION A-A  
SCALE 2:1



BROKEN-OUT SECTION B-B  
SCALE 2:1



SECTION C-C

mat'l code				SEE NOTE		tolerances unless otherwise specified		CUSTOMER		FCI	
ltr	ecn no.	dr	date	linear	0.X ±0.5	COPY		www.fciconnect.com		title	
A					0.XX ±0.25	projection		IP + 44 S + IP		RIGHT ANGLE SOLDER HEADER	
				angles	0.XXX ±0.1	MIM		product family		PwrBlade	code
				dr	Anson Liu 03/02/10	scale		size	dwg no	213	sheet
				enrg	Jerome Chen 03/02/10	1:1		A	51730-169	2 of 4	
				chr	PM Zheng 03/02/10						
				appd	JOSEPH HSIA 03/02/10						
sheet index		revision sheet									

cage code 22526

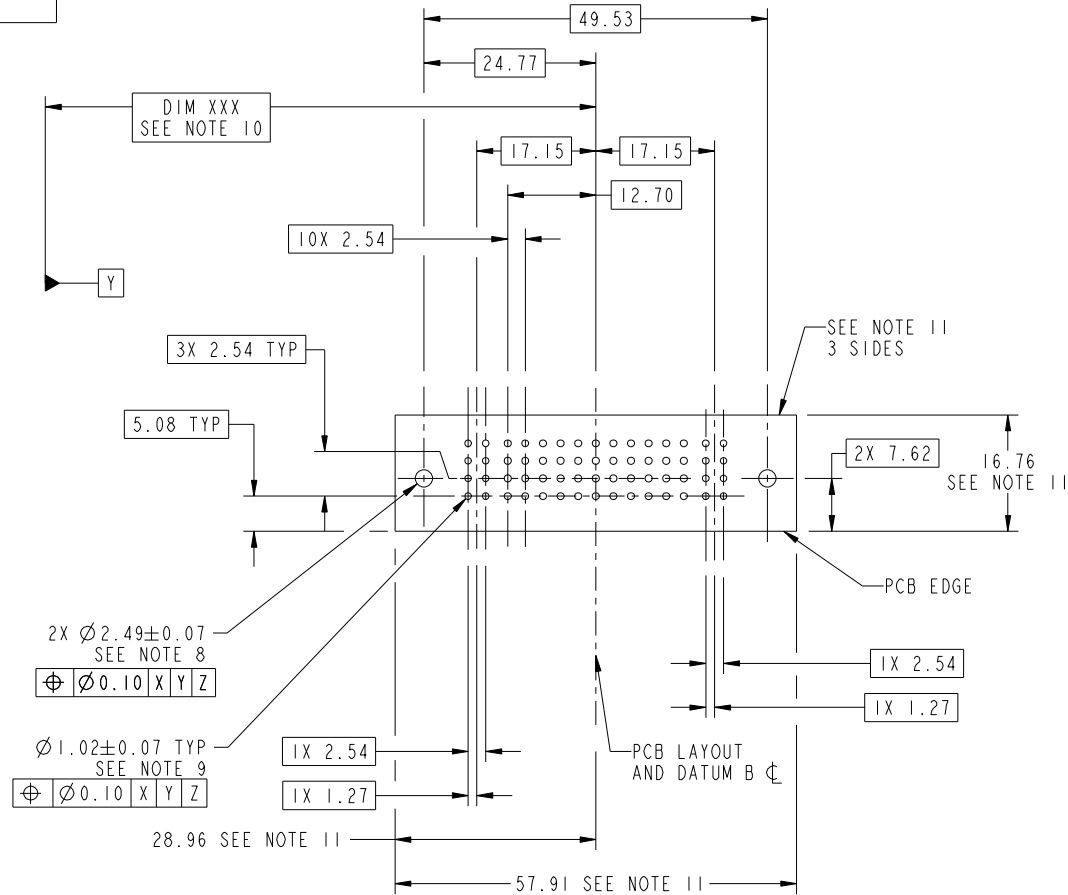
Pro/E

Tous droits strictement réservés. Reproduction ou communication a des tiers interdite sous quelque forme que ce soit sans autorisation écrite du propriétaire. Propriété de c FCI. Droits de reproduction FCI.

All rights strictly reserved. Reproduction or issue to third parties in any form whatever is not permitted without written authority from the proprietor. Property of FCI. Copyright FCI.



PRODUCT NUMBER  
51730-169\_\_  
NOTE: 3



RECOMMENDED PCB LAYOUT

mat'l code		SEE NOTE		tolerances unless otherwise specified		CUSTOMER		 www.fciconnect.com	
ltr	ecn no.	dr	date	linear	0.X ± 0.5	COPY		title	
A					0.XX ± 0.25	projection		IP + 44 S + IP	
				angles	0.XXX ± 0.1			RIGHT ANGLE SOLDER HEADER	
				dr	0° ± 2°			product family PwrBlade code	
				enr	Anson Liu 03/02/10	scale		size	
				chr	Jerome Chen 03/02/10	1:1		dwg no	
				appd	PM Zheng 03/02/10			A 51730-169	
					JOSEPH HSIA 03/02/10			sheet	
sheet index	revision sheet							3 of 4	

cage code 22526

Pro/E

Tous droits strictement reserves. Reproduction ou communication a des tiers interdite sous quelque forme que ce soit sans autorisation écrite du propriétaire. Propriete de c FCI. Droits de reproduction FCI.



All rights strictly reserved. Reproduction or issue to third parties in any form whatever is not permitted without written authority from the proprietor. Property of FCI. Copyright FCI.

PRODUCT NUMBER  
51730-169--  
NOTE: 3

NOTES:

1. DIMENSIONS AND TOLERANCES ARE IN ACCORDANCE WITH ASME Y14.5M, 1994 UNLESS OTHERWISE SPECIFIED.

CONNECTOR NOTES:

- 2. HOUSING MATERIAL: UL 94 V-0 GLASS FILLED HIGH-TEMP THERMOPLASTIC  
POWER CONTACT MATERIAL: COPPER ALLOY  
SIGNAL PIN MATERIAL: COPPER ALLOY
- 3. PLATING  
SEE ITEM 1&2 IN PRINT 10064183 FOR PLATING SPEC OF 51730-169,51730-169LF RESPECTIVELY
- 4. MANUFACTURER'S NAME, DATE CODE AND OPTIONAL P/N TO APPEAR ON THIS SURFACE. THE P/N CAN BE OMITTED IF THERE IS NOT ENOUGH SPACE ON THIS SURFACE.
- 5. PRODUCT SPECIFICATION GS-12-149.  
APPLICATION SPECIFICATION BUS-20-067.
- 6. PACKAGED IN TRAYS.

PCB NOTES:

- 7. ALL HOLE DIAMETERS ARE FINISHED HOLE SIZE.
- 8. MOUNTING HOLES, WHERE APPLICABLE, ARE UNPLATED.
- 9.  $\varnothing 1.151 \pm 0.025$  DRILLED HOLES PLATED WITH 0.008 MIN SnPb OR Sn OVER 0.03 TO 0.08 Cu PLATING TO ACHIEVE  $\varnothing 1.02 \pm 0.07$  HOLE.
- 10. "DIM XXX" TO BE DETERMINED BY THE CUSTOMER.
- 11. CONNECTOR KEEP-OUT ZONE.

mat'l code		SEE NOTE		tolerances unless otherwise specified		CUSTOMER		FCI		www.fciconnect.com	
ltr	ecn no.	dr	date	linear	0.X ± 0.5	COPY				title	
A					0.XX ± 0.25	projection				IP + 44 S + IP	
				angles	0.XXX ± 0.1					RIGHT ANGLE SOLDER HEADER	
				dr	Anson Liu 03/02/10	MIM		product family		PwrBlade	code
				enr	Jerome Chen 03/02/10			size		dwg no	213
				chr	PM Zheng 03/02/10	scale		A		51730-169	sheet
				appd	JOSEPH HSIA 03/02/10	1:1				4 of 4	
sheet index	revision sheet										

cage code 22526

Pro/E