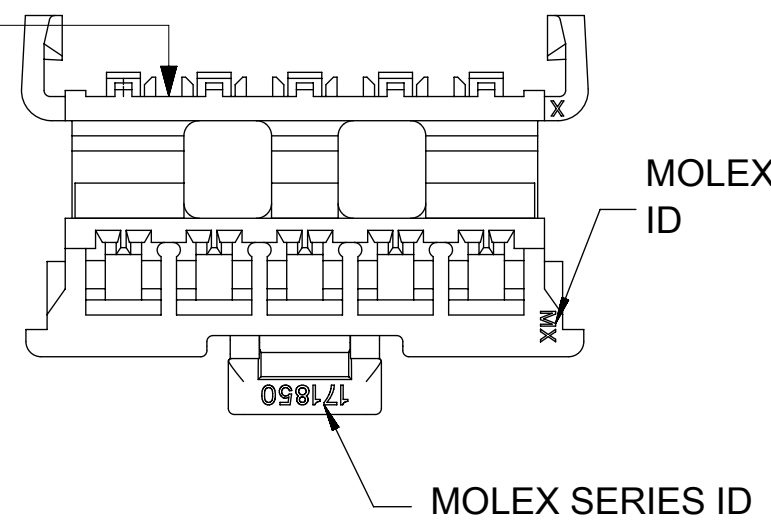


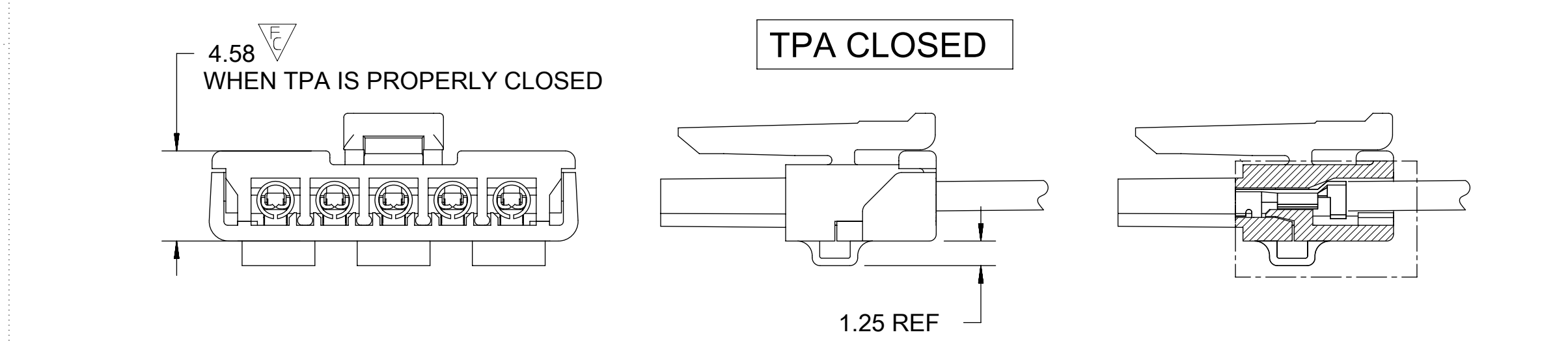
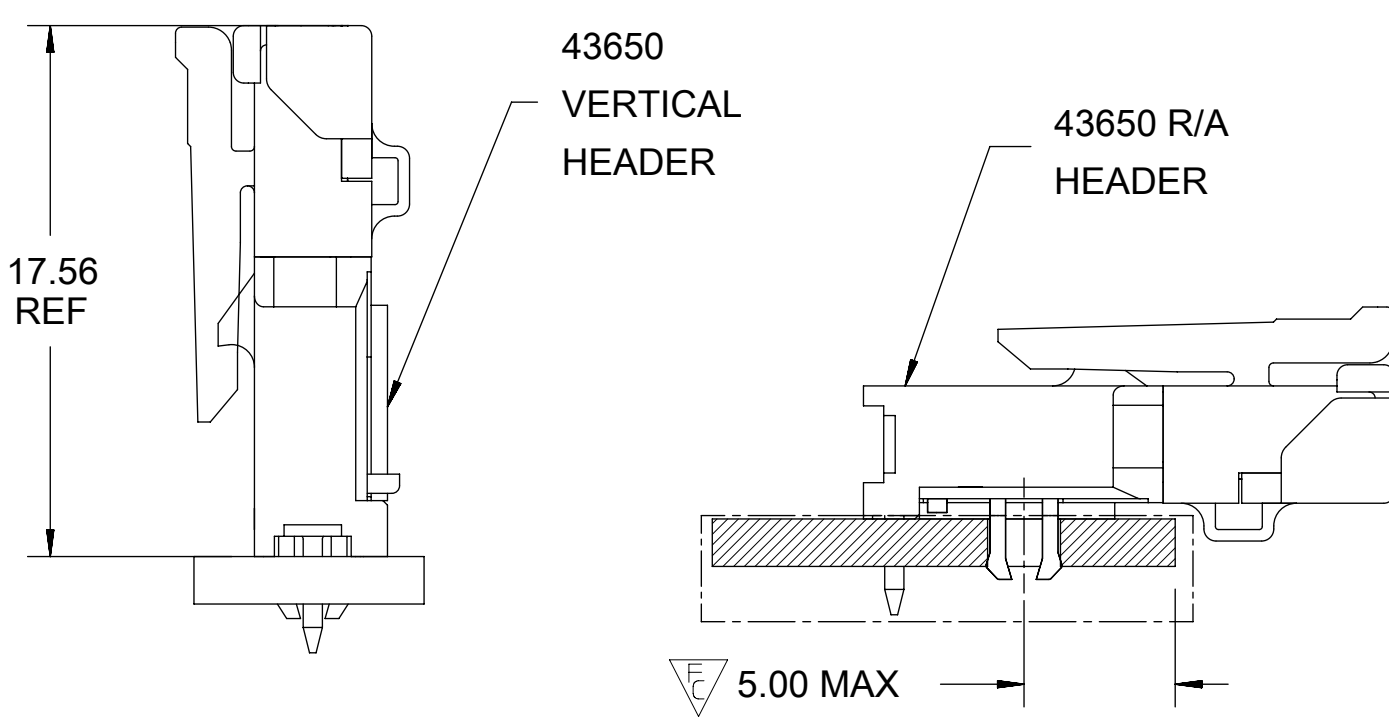
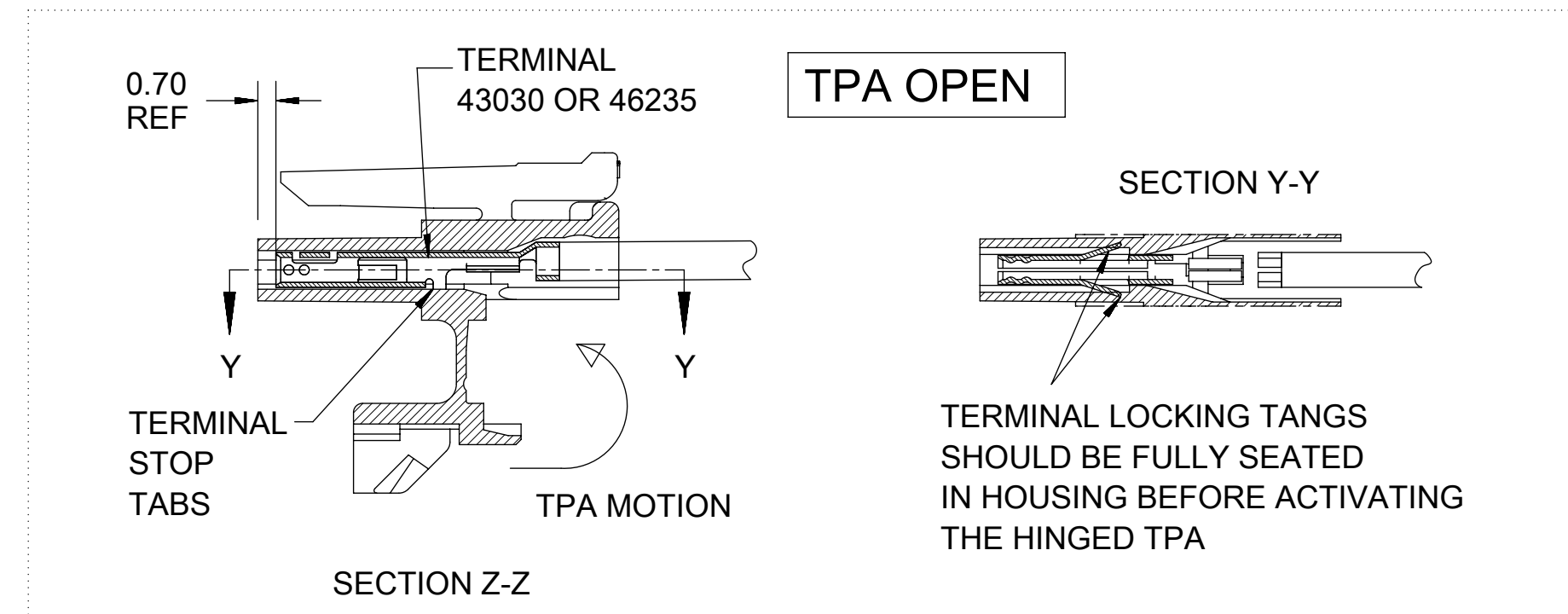
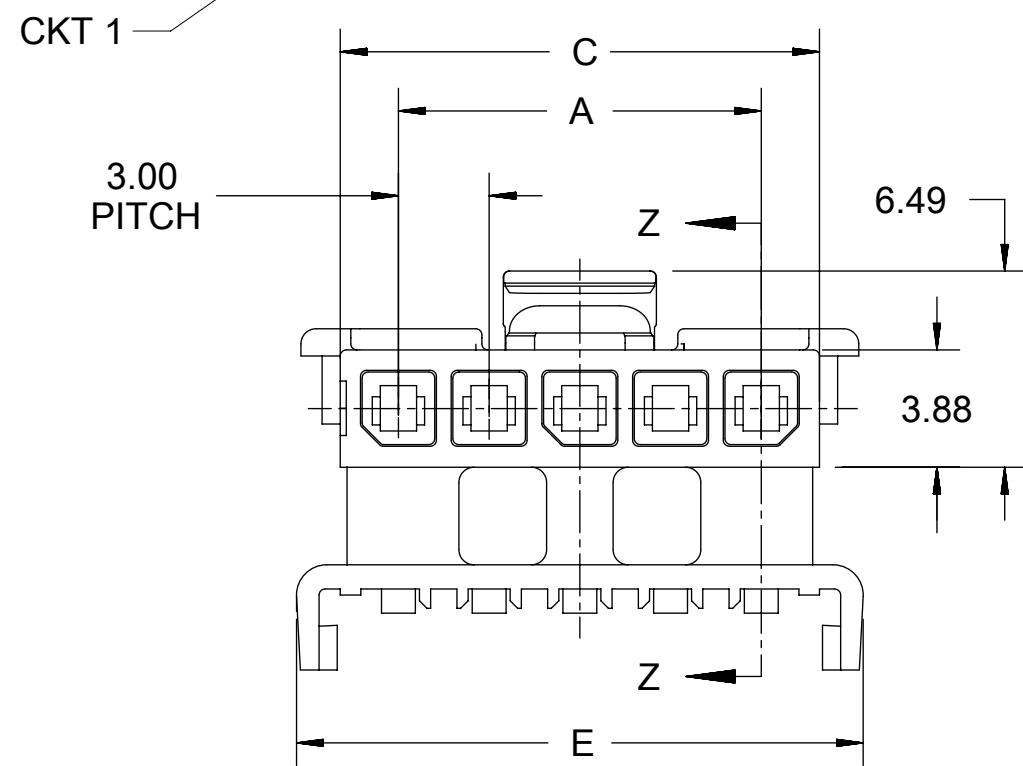
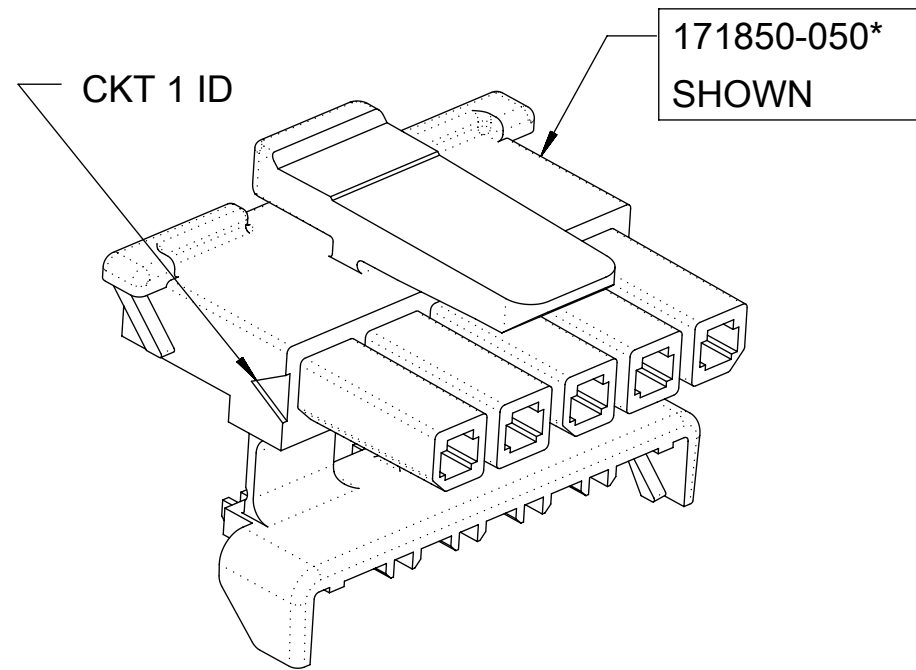
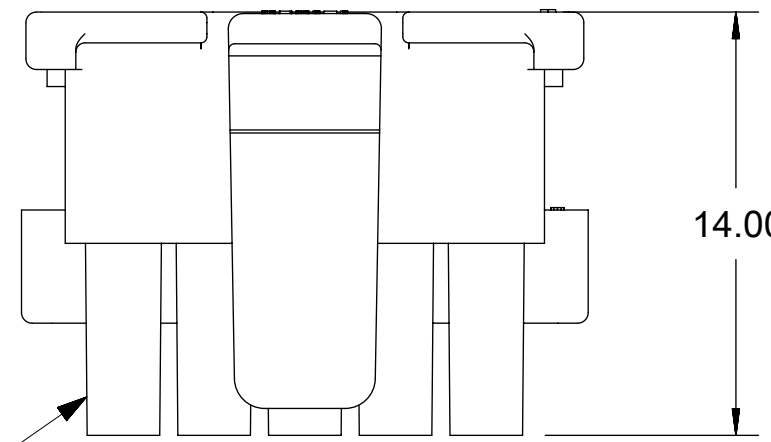
NOTES:

1. MATERIAL:  
NYLON V-0 LOW HALOGEN, COLOR: BLACK
2. FINISH: NONE
3. PRODUCT SPECIFICATION: PS-43650
4. PACKAGING SPECIFICATION: PK-171850-0000
5. THIS HOUSING TO BE USED WITH MOLEX FEMALE TERMINAL 43030 OR 46235 SERIES.
6. THIS PART MATES WITH 43640 AND 43650.
7. THIS PART CONFORMS TO CLASS 'B' REQUIREMENTS OF COSMETIC SPECIFICATION PS-45499-002.
8. REFER TO AS-45499-001 FOR MOISTURIZING NYLON CONNECTOR PARTS.
9. PRODUCT MUST BE USED WITH TPA INSTALLED.
10. TPA IS INTENDED FOR ONE TIME USE.
11. INTENDED FOR USE WITH 20-30 AWG WIRES ONLY.
12. SOME HOUSINGS MAY HAVE A SMALL GATE BLEMISH NEAR THE GATE THAT DOES NOT AFFECT FUNCTIONALITY.
13. MOLEX RECOMMENDS THE USE OF MICRO-FIT TEST PLUG, SERIES NO. 44242-\*\*\*\* WHENEVER TESTING IS PERFORMED. TEST PLUGS MUST NOT BE USED FOR MAKE OR BREAK UNDER LOAD. MOLEX DOES NOT RECOMMEND USING STANDARD MATING COMPONENTS FOR HARNESS TESTING PURPOSES.

0.2 MAX SINK ALLOWED ON THIS SIDE OF TPA



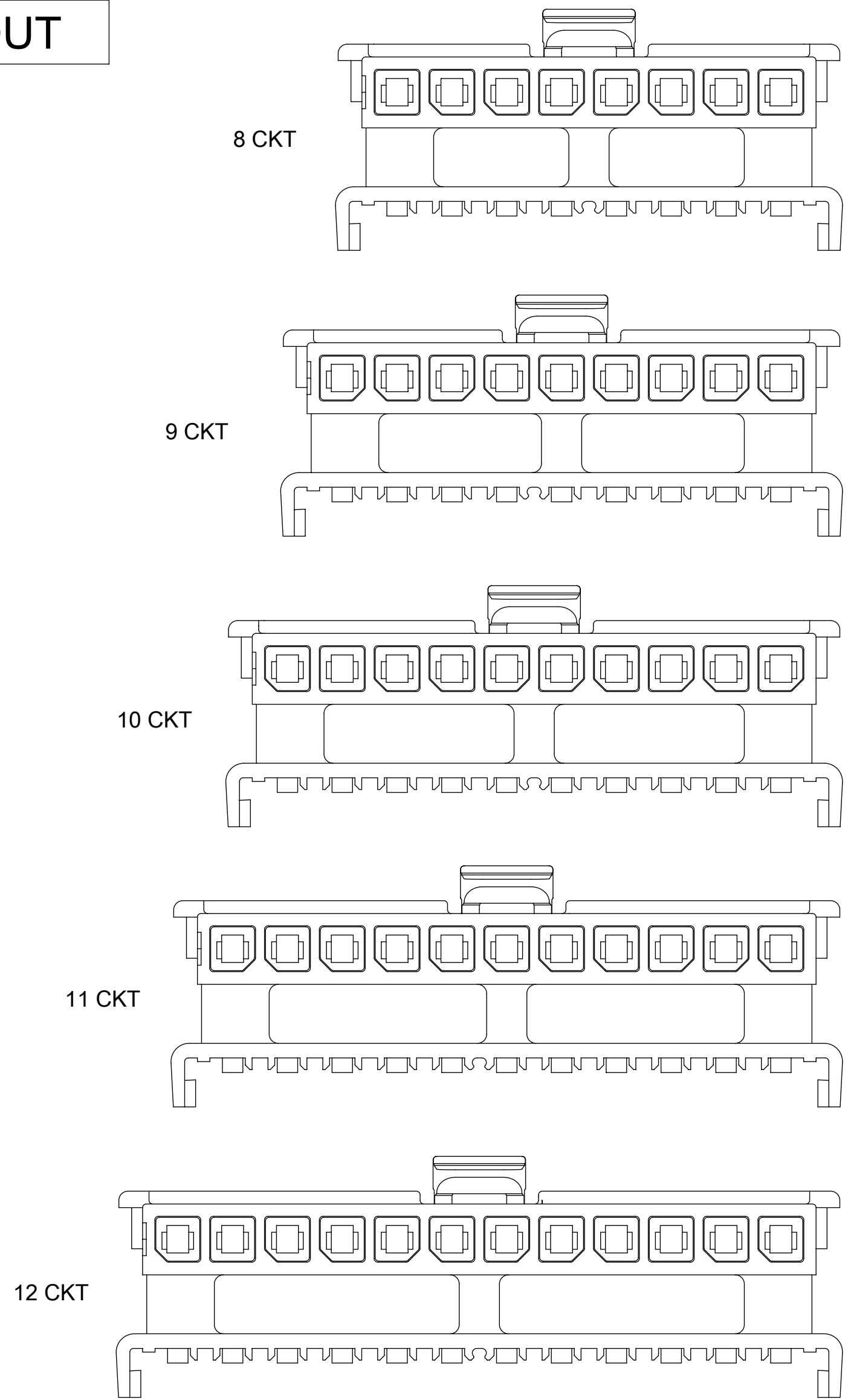
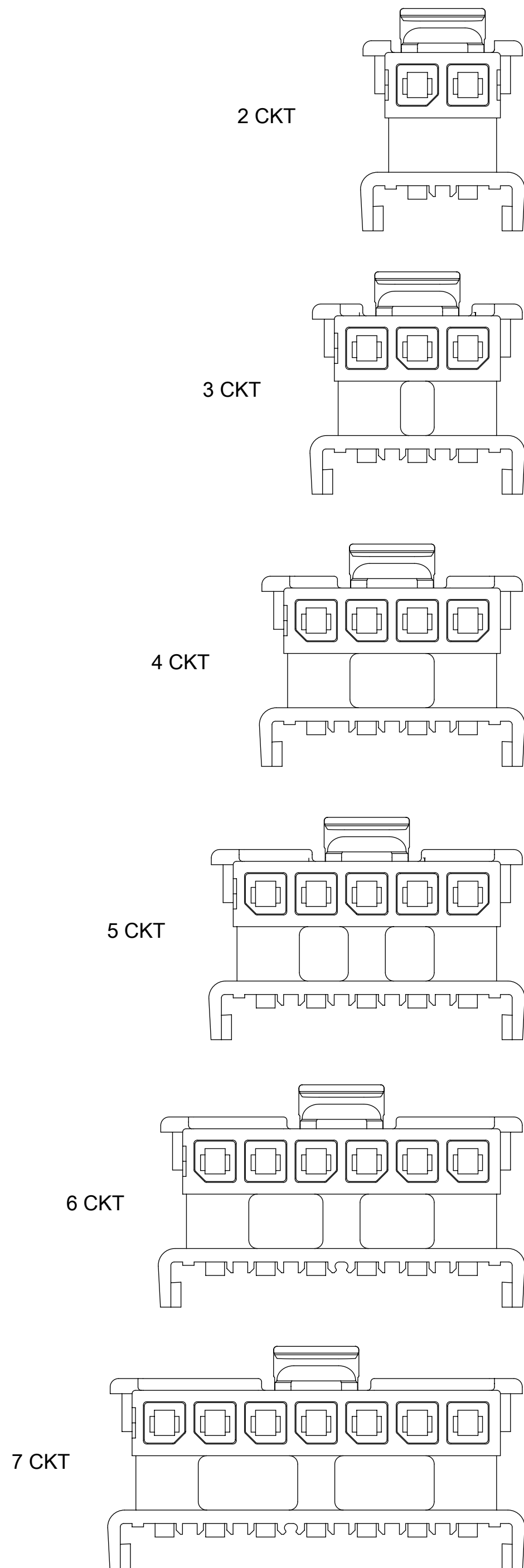
PART NUMBER	CIRCUIT SIZE	DIM A	DIM C	DIM E	MATERIAL
171850-1200	12	33.00	36.85	39.74	V-0 LOW HALOGEN
171850-1100	11	30.00	33.85	36.74	
171850-1000	10	27.00	30.85	33.74	
171850-0900	9	24.00	27.85	30.74	
171850-0800	8	21.00	24.85	27.74	
171850-0700	7	18.00	21.85	24.74	
171850-0600	6	15.00	18.85	21.74	
171850-0500	5	12.00	15.85	18.74	
171850-0400	4	9.00	12.85	15.74	
171850-0300	3	6.00	9.85	12.74	
171850-0200	2	3.00	6.85	9.74	



THIS DRAWING CONTAINS INFORMATION THAT IS PROPRIETARY TO MOLEX INCORPORATED AND SHOULD NOT BE USED WITHOUT WRITTEN PERMISSION

QUALITY SYMBOLS	EC DESCRIPTION	GENERAL TOLERANCES (UNLESS SPECIFIED)	DIMENSION UNITS	SCALE	<b>molex</b>
▽ = 0 ▽ = 6 ▽ = 0 ▽ = 0 ▽ = 0 □ = 0 ■ = 0 ▽ = 0	2015/12/10 2015/12/21 102246 TGREGORI RHODGE	ANGULAR TOL ± ° 4 PLACES ± 3 PLACES ± 2 PLACES ± 0.25 1 PLACE ± 0 PLACES ±	MM	4:1	
	DRWN BY	DATE	TGREGORI	2014/06/17	MICRO-FIT TPA SINGLE ROW RECEPTACLE
	CHKD BY	DATE			
	APPR BY	DATE	JCOMERCI	2014/06/23	PRODUCT CUSTOMER DRAWING
	DRAWING SIZE	THIRD ANGLE PROJECTION	C		SERIES: 171850 MATERIAL NUMBER: SEE TABLE CUSTOMER: GENERAL MARKET
		DRAFT WHERE APPLICABLE MUST REMAIN WITHIN DIMENSIONS			DOCUMENT NUMBER: SD-171850-0000 DOC TYPE: PSD DOC PART: 000 SHEET NUMBER: 1 OF 2

# POLARIZATION LAYOUT



THIS DRAWING CONTAINS INFORMATION THAT IS PROPRIETARY TO MOLEX INCORPORATED AND SHOULD NOT BE USED WITHOUT WRITTEN PERMISSION												
QUALITY SYMBOLS	EC NO: 102246 DRWN: TGREGORI CHKD: RHODGE REV: APPR:	2015/12/10 2015/12/21	GENERAL TOLERANCES (UNLESS SPECIFIED)			DIMENSION UNITS	SCALE					
			ANGULAR TOL ± °			MM	4:1					
▽ = 0	EC DESCRIPTION EC NO: 102246 DRWN: TGREGORI CHKD: RHODGE REV: APPR:	2015/12/10 2015/12/21	4 PLACES ±	DRWN BY	DATE	MICRO-FIT TPA SINGLE ROW RECEPTACLE						
▽ = 0			3 PLACES ±	TGREGORI	2014/06/17							
▽ = 0			2 PLACES ±	CHKD BY	DATE	PRODUCT CUSTOMER DRAWING						
▼ = 0			1 PLACE ±	JCOMERCI	2014/06/23							
▽ = 0			0 PLACES ±	DRAFT WHERE APPLICABLE MUST REMAIN WITHIN DIMENSIONS		DRAWING SIZE	THIRD ANGLE PROJECTION	SERIES	MATERIAL NUMBER	CUSTOMER		
☒ = 0			C	171850	SEE TABLE SHEET 1	GENERAL MARKET						
■ = 0				DOCUMENT NUMBER	DOC TYPE	DOC PART	SHEET NUMBER					
▽ = 0	B5			SD-171850-0000	PSD	000	2 OF 2					