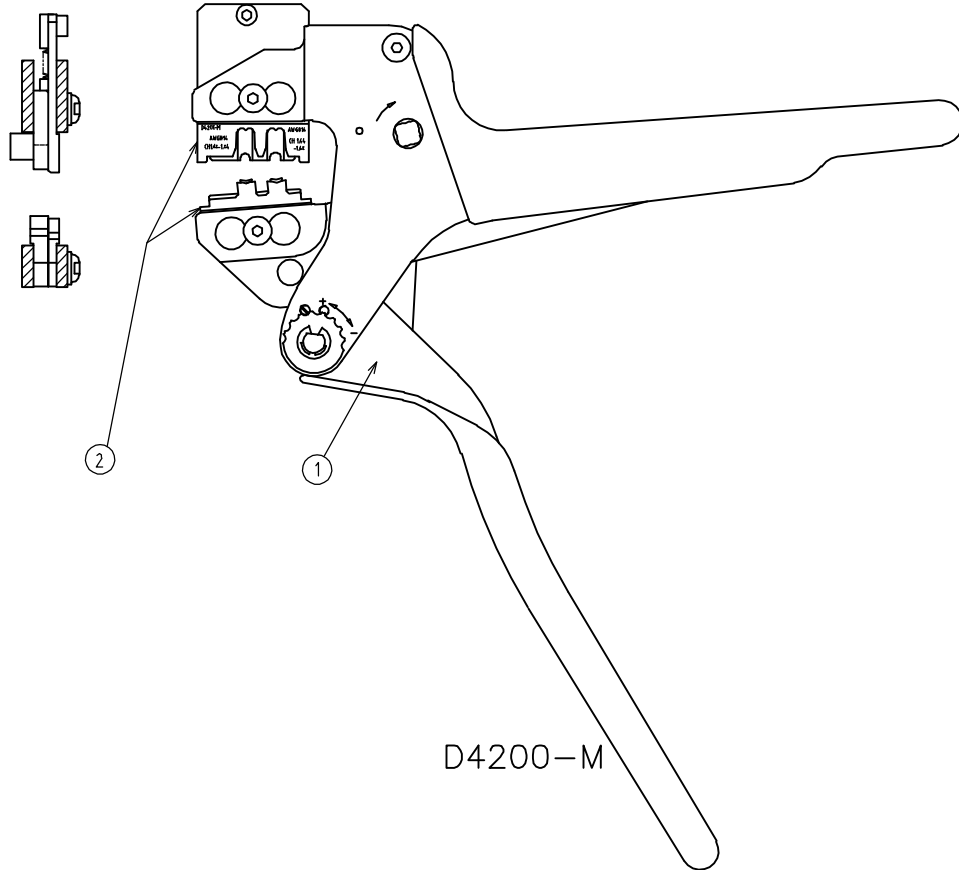


LOC J	DIST —	REVISIONS 変更			
P	LTR	DESCRIPTION	DATE	DWN	APVD
	A	RELEASED	17MAR06	S.N	S.Y

TERMINAL No.	WIRE SIZE AWG#	INS. RANGE (mm)	WIRE CRIMP HEIGHT (mm)	IS. No.
1747499	#16	φ2.0-φ3.2	1.44-1.60	411-78229
1747501	#14	φ2.80-φ3.75	1.68-1.84	



D4200-M

- 1 ONLY


1	1762675-1	DIE ASSY	2
1	9-1478240-0	ERGO CRIMP HAND TOOL	1
-1	PART NO.	NAME	ITEM NO.

THIS DRAWING IS UNPUBLISHED.

ALL RIGHTS RESERVED.

COPYRIGHT BY TYCO ELECTRONICS CORPORATION.

THIS DRAWING IS UNPUBLISHED.

DIMENSIONS: 單位：耗 mm	DWN S.NAKA	17.MAR.2006	MATERIAL 材料	—	FINISH 仕上	—
	CHK S.NAKA	17.MAR.2006	 Tyco Electronics AMP K.K. Kawasaki, Japan			
TOLERANCES UNLESS OTHERWISE SPECIFIED: 一般公差	APVD S.YABE	17.MAR.2006				
	0 PLC ± -	PRODUCT SPEC 製品規格	—	SIZE	CAGE CODE	DRAWING NO 番号
1 PLC ± -	APPLICATION SPEC 取付適用規格	114-5369	A4	00779	C-1762671	—
2 PLC ± -	WEIGHT	650g	CUSTOMER DRAWING			
3 PLC ± -			SCALE 尺度	1:2	SHEET	1 OF 1
4 PLC ± -					REV	A
ANGLES ± -						