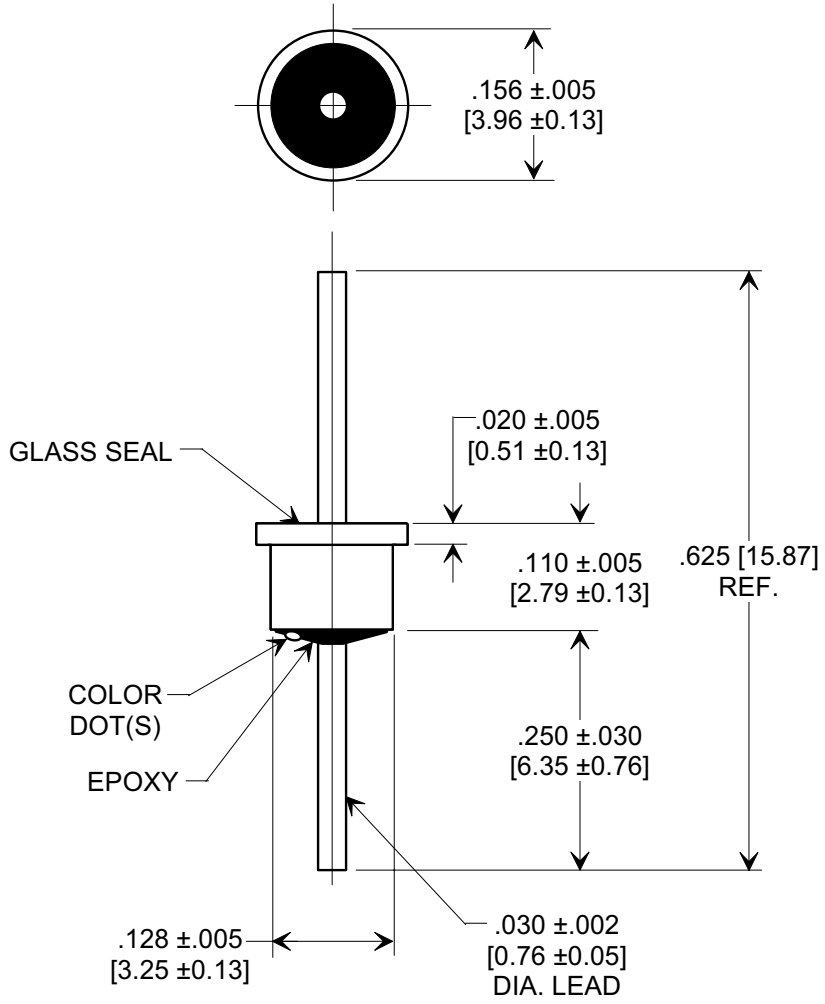
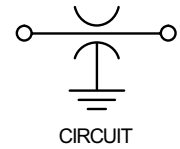


**MARKETING SALES DRAWING**  
 DIMENSIONS IN INCHES - DO NOT SCALE THIS DRAWING  
 DIMENSIONS IN METRIC - [ ]

Electrical Testing  
 per Tusonix standard  
 test plans and Mil-Std-202  
 Test Methods.



**NOTES:**

- Operating temperature range: -55°C to +125°C.
- Gold plated case and lead.
- Epoxy sealed on opposite end from glass seal.
- Max. recommended soldering temperature: 260°C.  
See installation recommendations.
- Recommended mounting hole: .135 [3.43] dia.
- Solder preform available for mounting.
- Tusonix Standard part number: 4300-034.  
Tusonix RoHS compliant part number: 4300-034 LF.  
Customer must specify Standard or RoHS part number when ordering.
- RoHS compliant part marked with additional dark green dot for identification.

Cx (pF)	TOL.	DC WORKING VOLTAGE		DC CURRENT (AMPS)	DWV (VDC)	I.R. MIN. @ 100 (VDC.)	MIN. NO LOAD INSERTION LOSS (dB) @ 25° C PER MIL-STD-220					COLOR CODE
		85°C	125°C				1 MHz	10 MHz	100 MHz	1GHz	10 GHz	
50,000	GMV	50	50	5	100	10 G	15	35	45	70	---	BLUE--BLUE

REVISION RECORD Original Release C.O. 20020604-1-01 ADDED NOTES 7 & 8. S.M. 05-23-05 20050511-2-32	0	--TOLERANCES-- Unless Otherwise Specified  DECIMAL ± NOTED  ANGLES ±	Title		
	1		<b>SOLDER MOUNT EMI FILTER</b>		
	Drawn L.E. 06-04-02		Scale 5 X		
	Approved B.Mc. 06-04-02		<b>A</b> <b>4300-034</b>		

X-2015 Rev-0