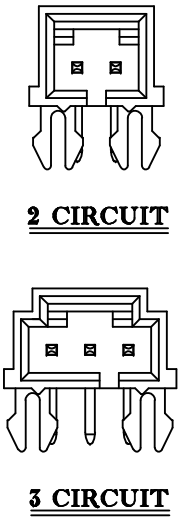
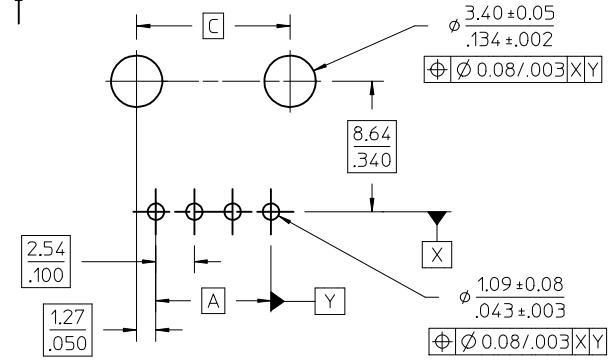
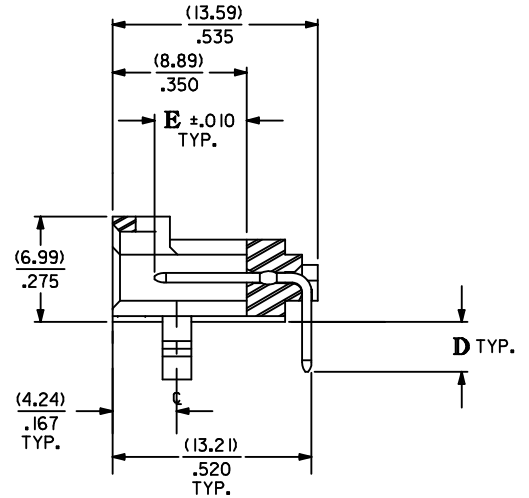
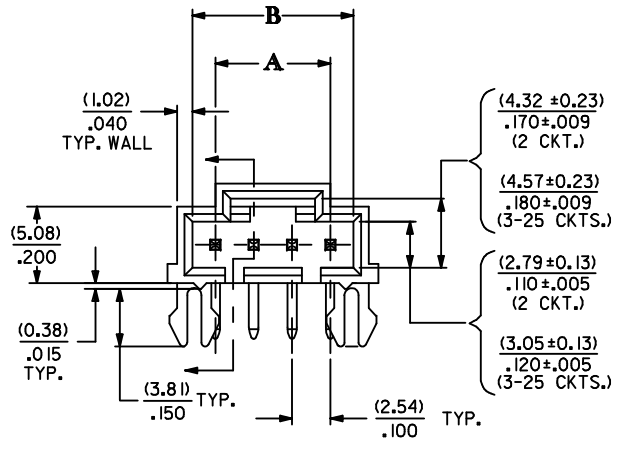


| CKT. SIZE | DIM. "A" | | DIM. "B" | | DIM. "C" | | DIM. "Z" | |
|-----------|----------|-------|----------|-------|----------|-------|----------|-------|
| | MM | IN. | MM | IN. | MM | IN. | MM | IN. |
| 2 | 2.54 | .100 | 5.33 | .210 | 5.08 | .200 | 8.64 | .340 |
| 3 | 5.08 | .200 | 8.13 | .320 | 7.62 | .300 | 11.43 | .450 |
| 4 | 7.62 | .300 | 10.67 | .420 | 10.16 | .400 | 13.97 | .550 |
| 5 | 10.16 | .400 | 13.21 | .520 | 12.70 | .500 | 16.51 | .650 |
| 6 | 12.70 | .500 | 15.75 | .620 | 15.24 | .600 | 19.05 | .750 |
| 7 | 15.24 | .600 | 18.29 | .720 | 17.78 | .700 | 21.59 | .850 |
| 8 | 17.78 | .700 | 20.83 | .820 | 20.32 | .800 | 24.13 | .950 |
| 9 | 20.32 | .800 | 23.37 | .920 | 22.86 | .900 | 26.67 | 1.050 |
| 10 | 22.86 | .900 | 25.91 | 1.020 | 25.40 | 1.000 | 29.21 | 1.150 |
| 11 | 25.40 | 1.000 | 28.45 | 1.120 | 27.94 | 1.100 | 31.75 | 1.250 |
| 12 | 27.94 | 1.100 | 30.99 | 1.220 | 30.48 | 1.200 | 34.29 | 1.350 |
| 13 | 30.48 | 1.200 | 33.53 | 1.320 | 33.02 | 1.300 | 36.83 | 1.450 |
| 14 | 33.02 | 1.300 | 36.07 | 1.420 | 35.56 | 1.400 | 39.37 | 1.550 |
| 15 | 35.56 | 1.400 | 38.61 | 1.520 | 38.10 | 1.500 | 41.91 | 1.650 |
| 16 | 38.10 | 1.500 | 41.15 | 1.620 | 40.64 | 1.600 | 44.45 | 1.750 |
| 17 | 40.64 | 1.600 | 43.69 | 1.720 | 43.18 | 1.700 | 46.99 | 1.850 |
| 18 | 43.18 | 1.700 | 46.23 | 1.820 | 45.72 | 1.800 | 49.53 | 1.950 |
| 19 | 45.72 | 1.800 | 48.77 | 1.920 | 48.26 | 1.900 | 52.07 | 2.050 |
| 20 | 48.26 | 1.900 | 51.31 | 2.020 | 50.80 | 2.000 | 54.61 | 2.150 |
| 21 | 50.80 | 2.000 | 53.85 | 2.120 | 53.34 | 2.100 | 57.15 | 2.250 |
| 22 | 53.34 | 2.100 | 56.39 | 2.220 | 55.88 | 2.200 | 59.69 | 2.350 |
| 23 | 55.88 | 2.200 | 58.93 | 2.320 | 58.42 | 2.300 | 62.23 | 2.450 |
| 24 | 58.42 | 2.300 | 61.47 | 2.420 | 60.96 | 2.400 | 64.77 | 2.650 |
| 25 | 60.96 | 2.400 | 64.01 | 2.520 | 63.50 | 2.500 | 67.31 | 2.750 |



- NOTES:
- MATERIAL:
HOUSING: GLASS FILLED POLYESTER; UL94V-0, COLOR: BLACK
PIN MATERIAL: PHOSPHOR BRONZE
 - HEADER TO BE USED WITH OPTION "G" 70400 AND 70430 SERIES SL CONNECTORS
 - REFER TO MOLEX PRODUCT SPECIFICATION PS-70541
 - STANDARD PACKAGING PER PK-70873-0015

- PLATING CODES:
- BRIGHT TIN - 150 MICROINCHES MINIMUM BRIGHT TIN PLATE OVER 50 MICROINCHES MINIMUM NICKEL PLATE
 - MATTE TIN - 150 MICROINCHES MINIMUM MATTE TIN PLATE OVER 50 MICROINCHES MINIMUM NICKEL PLATE
 - 15 GOLD - 15 MICROINCHES MINIMUM GOLD PLATE IN SELECT AREA 75 MICROINCHES MINIMUM MATTE TIN PLATE IN SELECT AREA OVER 50 MICROINCHES MINIMUM NICKEL PLATE OVERALL
 - 30 GOLD - 30 MICROINCHES MINIMUM GOLD PLATE IN SELECT AREA 75 MICROINCHES MINIMUM MATTE TIN PLATE IN SELECT AREA OVER 50 MICROINCHES MINIMUM NICKEL PLATE OVERALL

RECOMMENDED P.C. BOARD LAYOUT
(FOR USE WITH (1.57)/.062 THICK BOARD)

| | | | | | | | |
|--|-----------------|--|---|----------------|--------------|------------------------|--|
| CORRECT 30 GOLD DES EC NO: UCP2017-2006 DRWINKSAMTEC 2017/03/14 CHKD: APPR:FSMITH 2017/03/14 REV: | QUALITY SYMBOLS | GENERAL TOLERANCES (UNLESS SPECIFIED) | DIMENSION STYLE | SCALE | DESIGN UNITS | THIRD ANGLE PROJECTION | |
| | ▽=0 | mm INCH | MM/IN | INCH | INCH | | |
| | ▽=0 | 4 PLACES ± --- ± --- | DRAWN BY DATE | | | | |
| | ▽=0 | 3 PLACES ± --- ± .005 | AAB 1993/05/13 | | | | |
| | | 2 PLACES ± 0.13 ± .010 | CHECKED BY DATE | | | | |
| | | 1 PLACE ± 0.25 ± --- | AAB 1993/05/13 | | | | |
| | | 0 PLACE ± --- ± --- | APPROVED BY DATE | | | | |
| | | ANGULAR ±1/2° | SMILLER 2010/11/23 | | | | |
| | | DRAFT WHERE APPLICABLE MUST REMAIN WITHIN DIMENSIONS | MATERIAL NO. | DOCUMENT NO. | | | |
| | | | SEE TABLE | SDA-70551-**** | | | |
| | | | SIZE C | | | | |
| | | | THIS DRAWING CONTAINS INFORMATION THAT IS PROPRIETARY TO MOLEX INCORPORATED AND SHOULD NOT BE USED WITHOUT WRITTEN PERMISSION | | | | |

| | 13 | 12 | 11 | 10 | 9 | 8 | 7 | 6 | 5 | 4 | 3 | 2 | 1 |
|---|--------------|----------------------------|----|----------------|----------------|--------------------|---------------------|---|---|---|---|---|---|
| J | CIRCUIT SIZE | ENGINEERING NUMBER A-70551 | | D | E | MATING AREA FINISH | PC TAIL AREA FINISH | | | | | | |
| | 2-25 | -0001-0024 | | (3.30) .130 | (6.10) .240 | BRIGHT TIN | BRIGHT TIN | | | | | | |
| | 2-25 | -0036-0059 | | (3.30) .130 | (6.10) .240 | 15 GOLD | TIN | | | | | | |
| I | 2-25 | -0071-0094 | | (3.30) .130 | (6.10) .240 | 30 GOLD | TIN | | | | | | |
| | 2 & 4 | -3001,-3003 | | (3.30) .130 | (6.10) .240 | MATTE TIN | MATTE TIN | | | | | | |
| H | | | | | | | | | | | | | |

| CKTS | MATERIAL NO | MATERIAL NO | MATERIAL NO | MATERIAL NO | | | | | CKTS |
|------|-------------|-------------|-------------|-------------|--|--|--|--|------|
| 02 | 70551-0001 | 70551-0036 | 70551-0071 | 70551-3001 | | | | | 02 |
| 03 | 70551-0002 | 70551-0037 | 70551-0072 | | | | | | 03 |
| 04 | 70551-0003 | 70551-0038 | 70551-0073 | 70551-3003 | | | | | 04 |
| 05 | 70551-0004 | 70551-0039 | 70551-0074 | | | | | | 05 |
| 06 | 70551-0005 | 70551-0040 | 70551-0075 | | | | | | 06 |
| 07 | 70551-0006 | 70551-0041 | 70551-0076 | | | | | | 07 |
| 08 | 70551-0007 | 70551-0042 | 70551-0077 | | | | | | 08 |
| 09 | 70551-0008 | 70551-0043 | 70551-0078 | | | | | | 09 |
| 10 | 70551-0009 | 70551-0044 | 70551-0079 | | | | | | 10 |
| 11 | 70551-0010 | 70551-0045 | 70551-0080 | | | | | | 11 |
| 12 | 70551-0011 | 70551-0046 | 70551-0081 | | | | | | 12 |
| 13 | 70551-0012 | 70551-0047 | 70551-0082 | | | | | | 13 |
| 14 | 70551-0013 | 70551-0048 | 70551-0083 | | | | | | 14 |
| 15 | 70551-0014 | 70551-0049 | 70551-0084 | | | | | | 15 |
| 16 | 70551-0015 | 70551-0050 | 70551-0085 | | | | | | 16 |
| 17 | 70551-0016 | 70551-0051 | 70551-0086 | | | | | | 17 |
| 18 | 70551-0017 | 70551-0052 | 70551-0087 | | | | | | 18 |
| 19 | 70551-0018 | 70551-0053 | 70551-0088 | | | | | | 19 |
| 20 | 70551-0019 | 70551-0054 | 70551-0089 | | | | | | 20 |
| 21 | 70551-0020 | 70551-0055 | 70551-0090 | | | | | | 21 |
| 22 | 70551-0021 | 70551-0056 | 70551-0091 | | | | | | 22 |
| 23 | 70551-0022 | 70551-0057 | 70551-0092 | | | | | | 23 |
| 24 | 70551-0023 | 70551-0058 | 70551-0093 | | | | | | 24 |
| 25 | 70551-0024 | 70551-0059 | 70551-0094 | | | | | | 25 |

| | | | | | | | | | |
|--|--------------------------------------|--|-----------------------|--------------------------|----------------------|---------------------|---------------------------|------------------------|--------------------|
| SEE SHEET 1 EC NO: UCP2017-2006 DRW: DRWKSAMIEC 2017/03/14 CHKD: APPR: FSMITH 2017/03/14 | QUALITY SYMBOLS = 0 = 0 = 0 | GENERAL TOLERANCES (UNLESS SPECIFIED) | | DIMENSION STYLE MM/IN | | SCALE | DESIGN UNITS INCH | THIRD ANGLE PROJECTION | |
| | | 4 PLACES ± --- ± --- | 3 PLACES ± --- ± .005 | 2 PLACES ± 0.13 ± .010 | 1 PLACE ± 0.25 ± --- | 0 PLACE ± --- ± --- | DRAWN BY AAB | | DATE 1993/05/13 |
| | | ANGULAR ±1/2° | | | | | APPROVED BY AAB | DATE 1993/05/13 | |
| | | DRAFT WHERE APPLICABLE MUST REMAIN WITHIN DIMENSIONS | | | | | MATERIAL NO. SEE TABLE | DATE 2010/11/23 | |

THIS DRAWING CONTAINS INFORMATION THAT IS PROPRIETARY TO MOLEX INCORPORATED AND SHOULD NOT BE USED WITHOUT WRITTEN PERMISSION