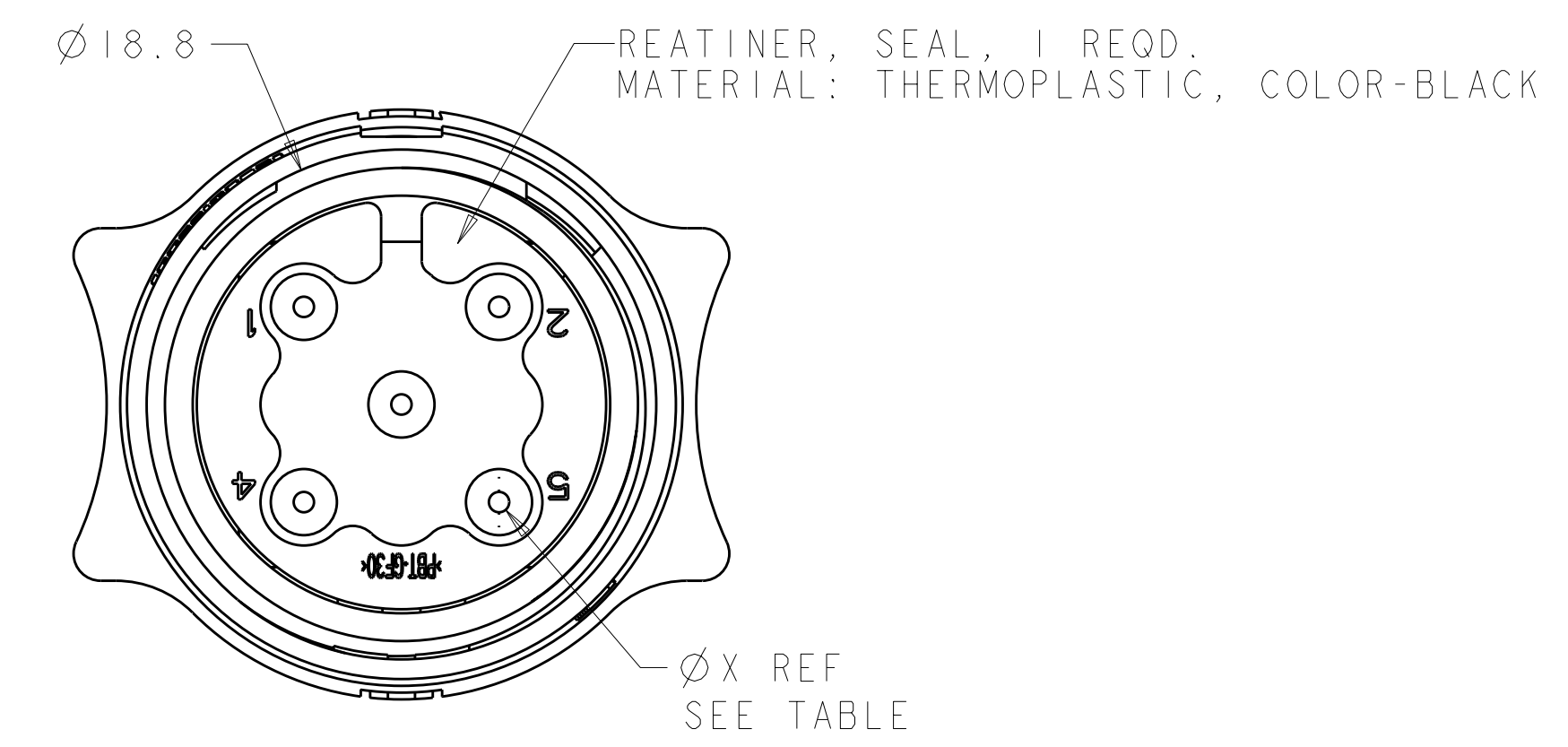
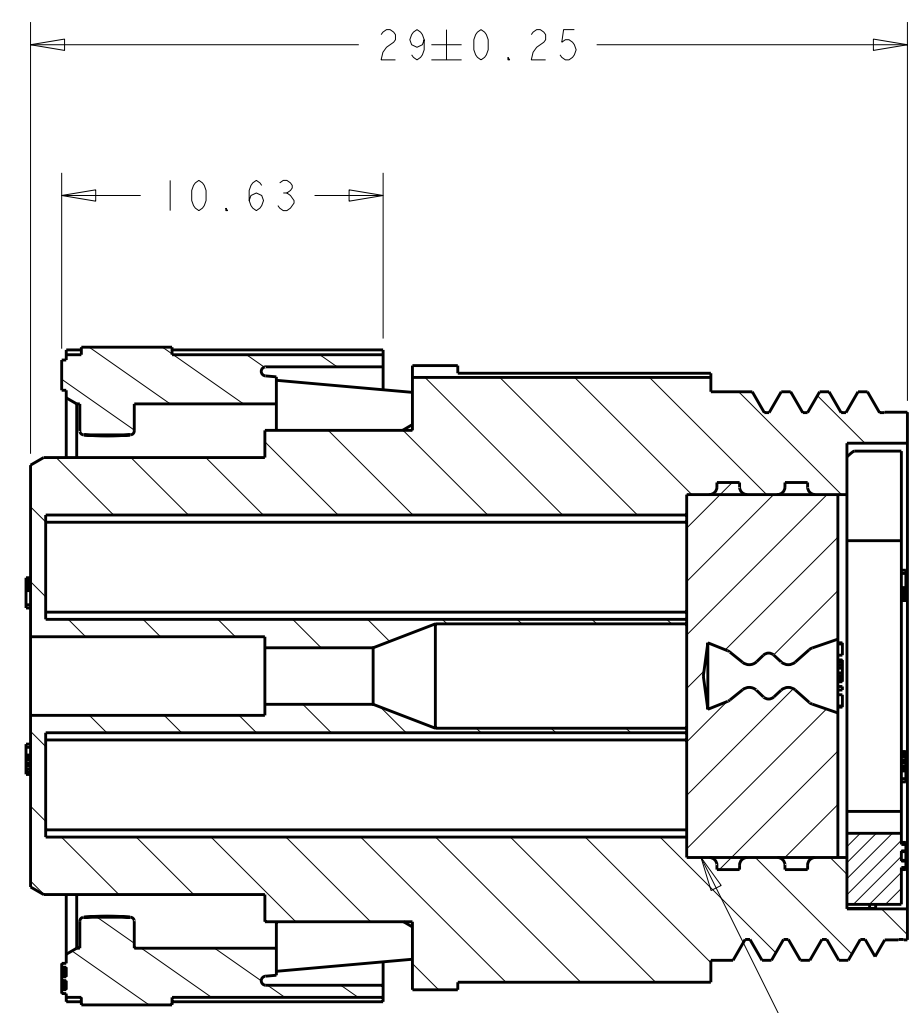
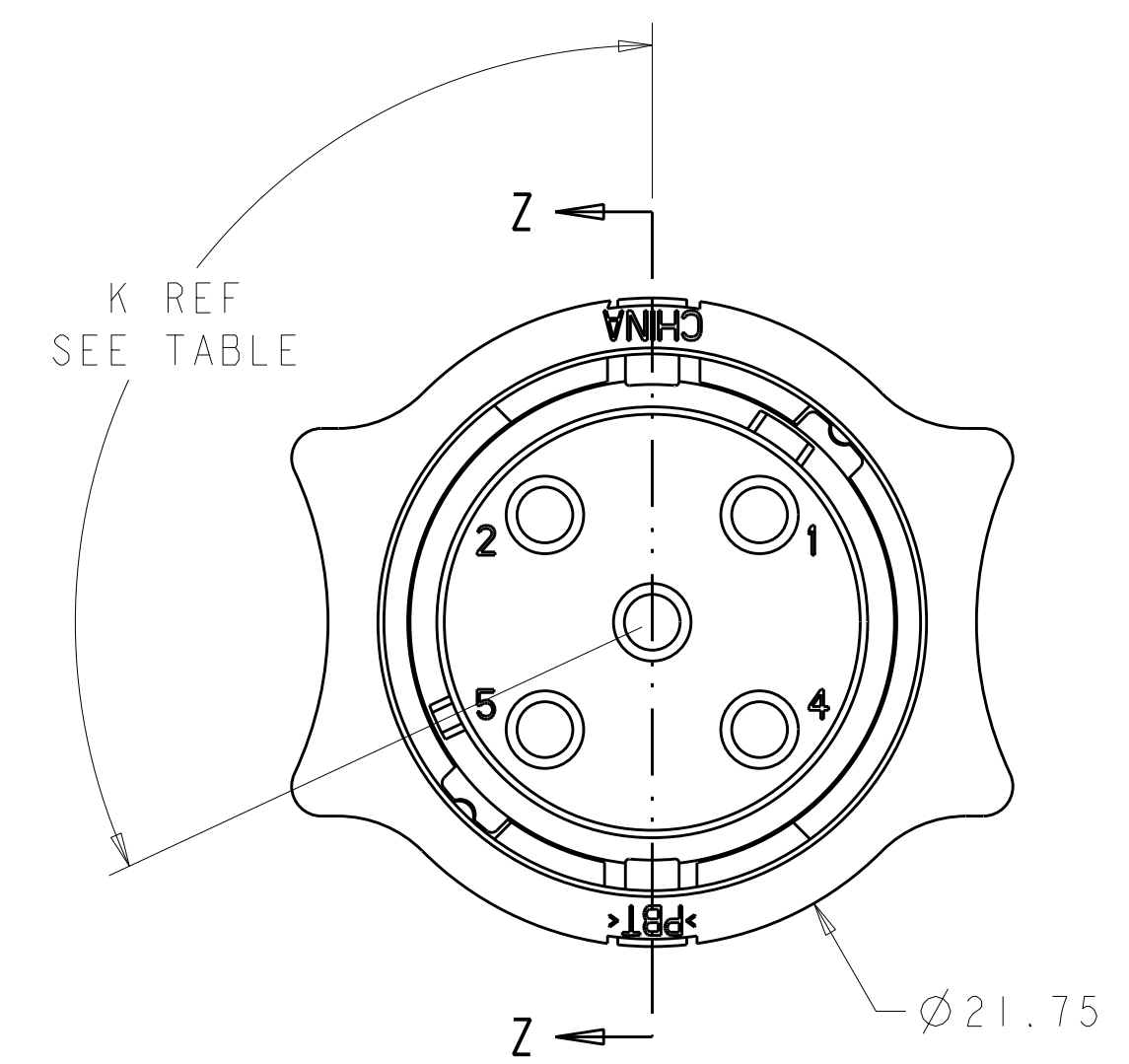
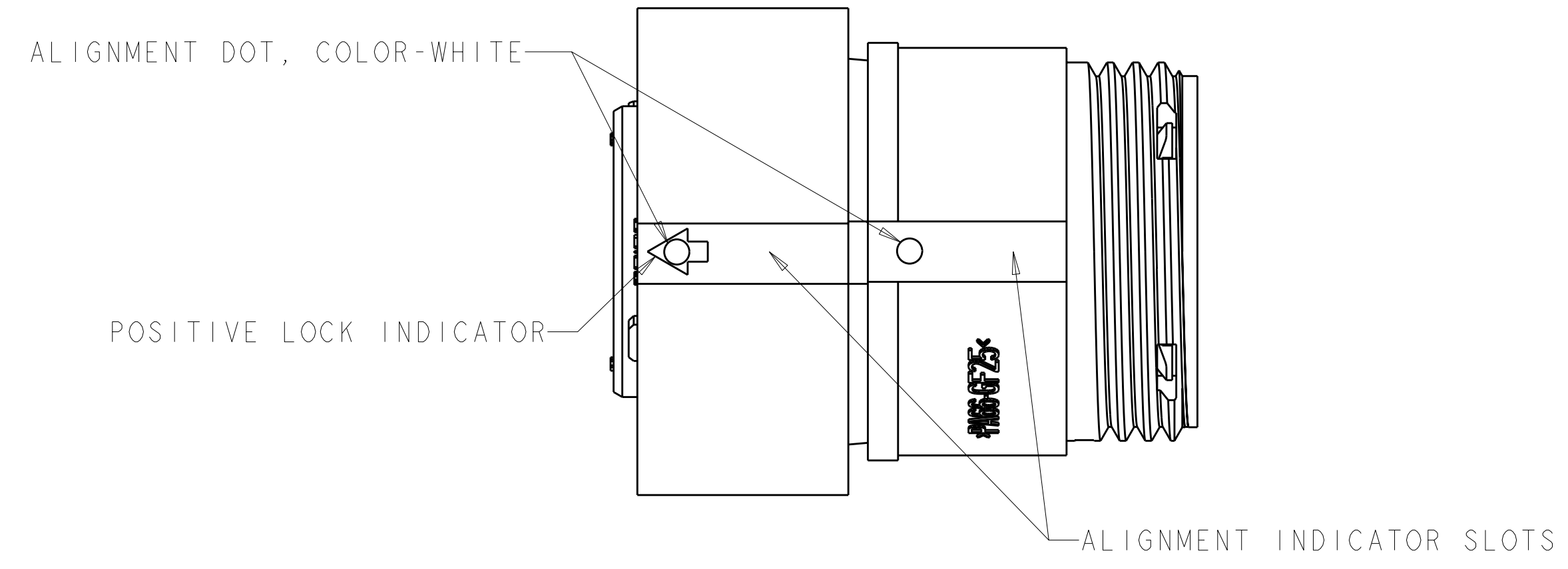
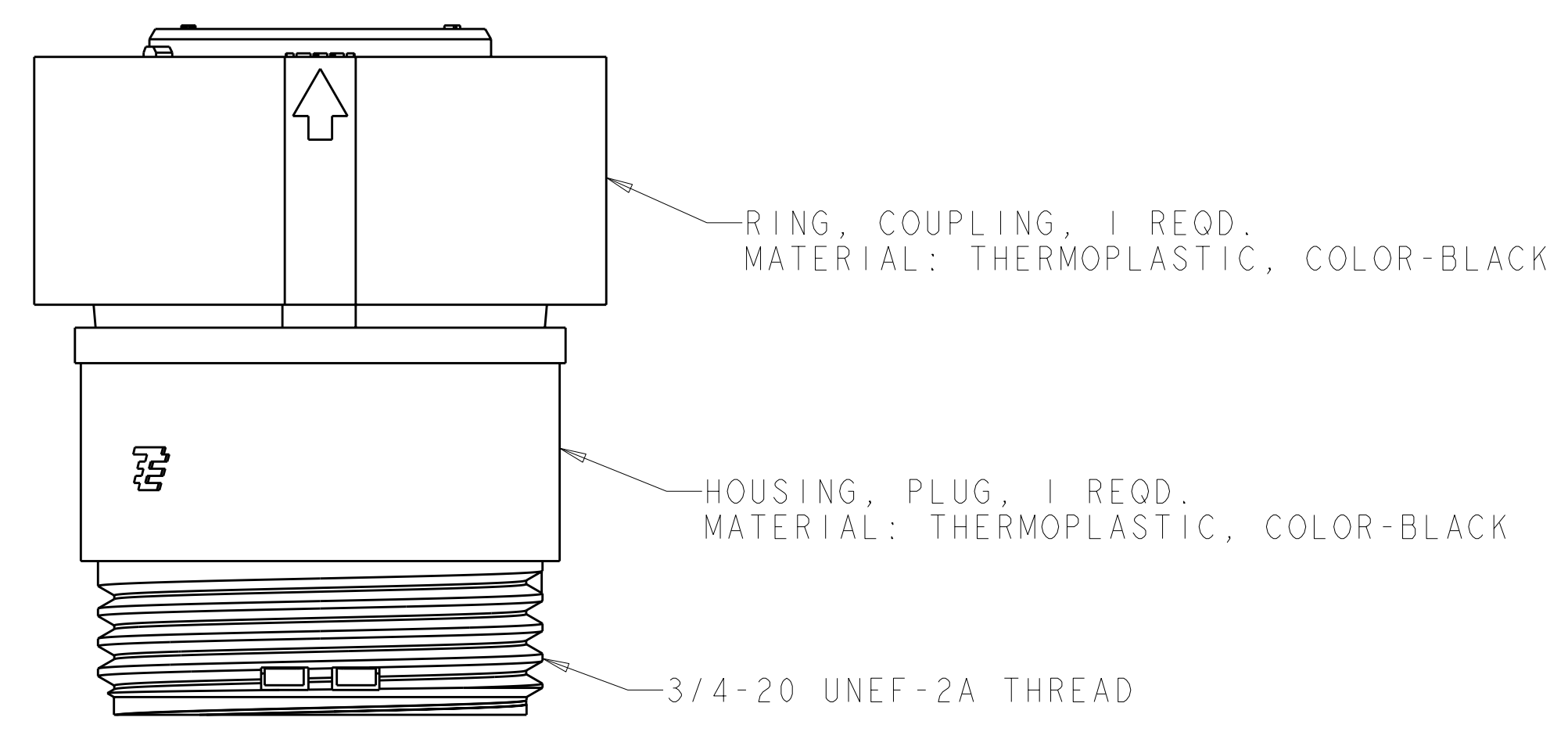


LOC	DIST	REVISIONS			
FT	0	REV	DATE	BY	APPD
		C2	REVIS PER ECO-11-005027	18MAR2011	RK HMR



SEAL, WIRE ENTRY, 1 REQD.
MATERIAL: ELASTOMER, COLOR-SEE TABLE



QUALIFICATION TEST PENDING

SEAL, WIRE ENTRY COLOR	Ø X REF	K REF	PART NUMBER
YELLOW	Ø 0.75	135°	1445820-4
NATURAL	Ø 1.5	115°	1445820-3
NATURAL	Ø 1.5	135°	1445820-2
YELLOW	Ø 0.75	115°	1445820-1

THIS DRAWING IS A CONTROLLED DOCUMENT.

SHANE WUEST 16OCT2001
 G DOUTY 16OCT2001
 H WAKEEM 13JUN2003

TE Connectivity

ASSEMBLY, PLUG, SIZE 11,
 5 POSITION, SEALED, MINI CPC

SCALE 4:1 SHEET 1 OF 1 REV C2