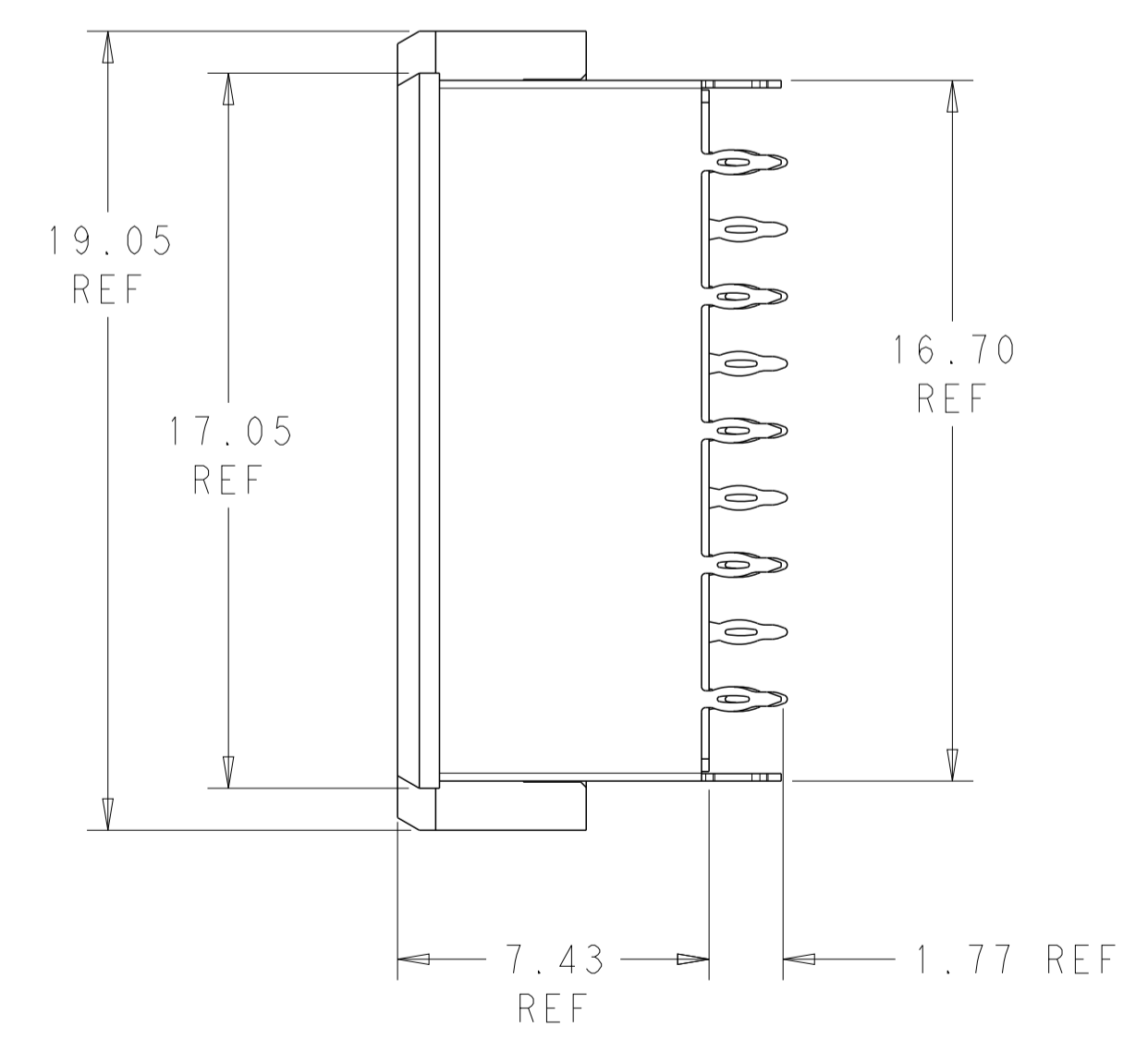
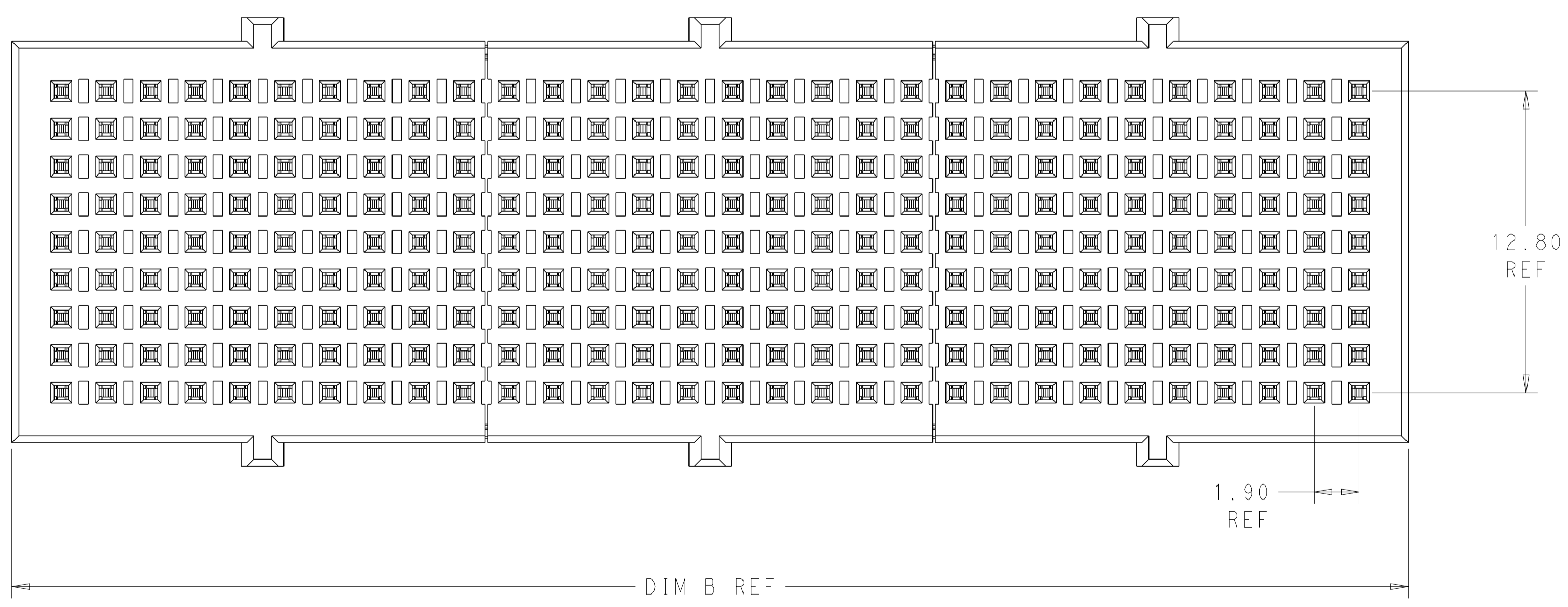
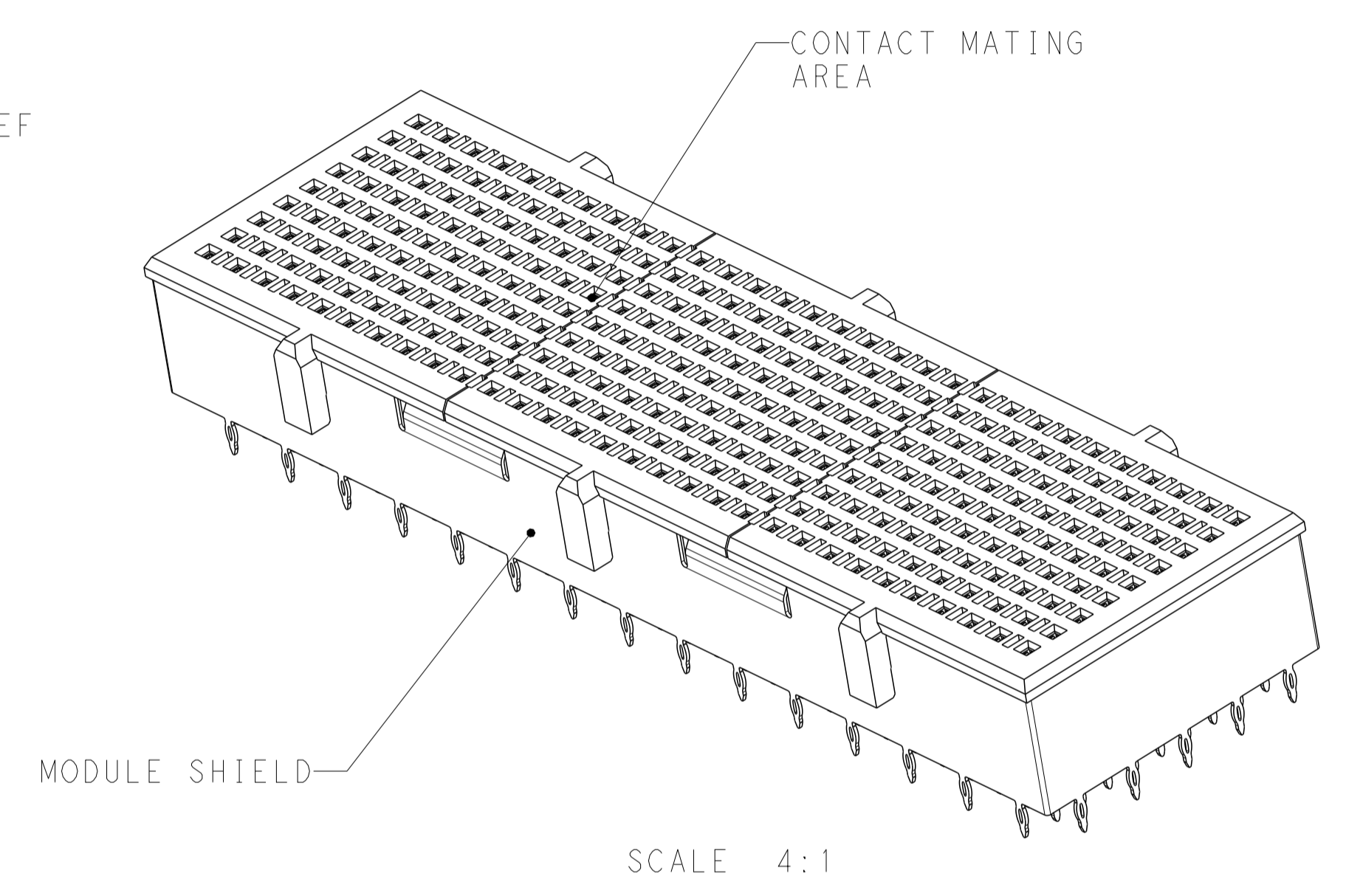
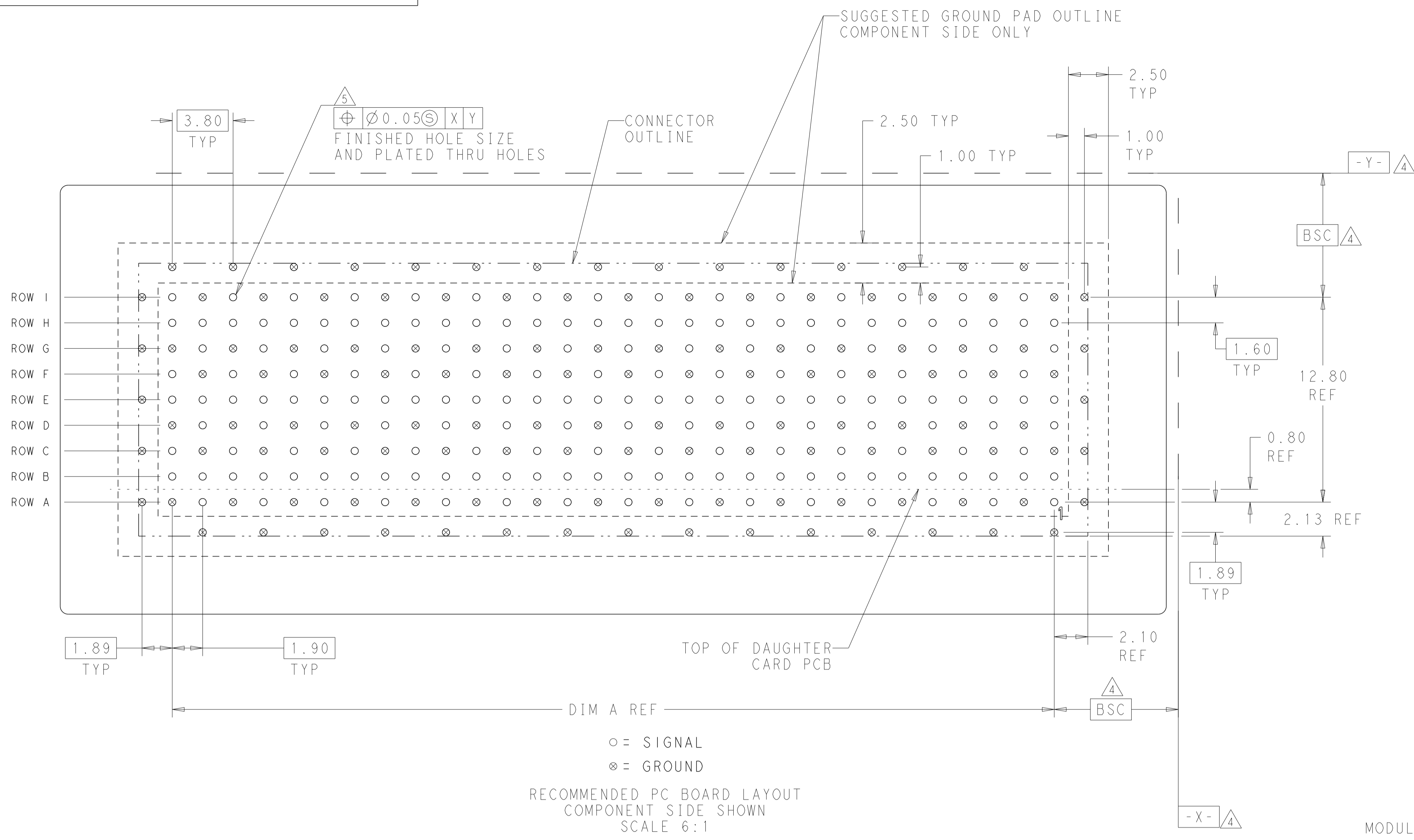


LOC		DIST		REVISIONS				
P	LTN	DESCRIPTION	DATE	OWN	APVD			
2		ADDED COLUMN MARKER	14FEB2012	AT	AT			
3		ADDED GROUND PAD, PLATING NOTES, WEIGHTS	24JULY2012	AT	AT			
4		REVISED FINISH NOTE	4SEP2012	DCB	AT			
5		CORRECTED CONNECTOR OUTLINE	30MAY2014	AT	AT			



THIS PRINT IS  
**PRELIMINARY**  
 UNQUALIFIED PRODUCT  
 CONTACT PRODUCT ENGINEERING  
 BEFORE USING THIS PRINT

THIS PRODUCT HAS NOT COMPLETED VALIDATION TESTING

THIS DRAWING IS A CONTROLLED DOCUMENT.		OWN D. BELACK 23JUL2010		
DIMENSIONS: mm		CHK A. TSANG	NAME	
TOLERANCES UNLESS OTHERWISE SPECIFIED: 0 PLC ± 1 PLC ±0.13 2 PLC ±0.05 3 PLC ± 4 PLC ± ANGLES ±2° FINISH		APVD M. MCALONIS	PRODUCT SPEC 108-2409	
MATERIAL		APPLICATION SPEC 114-13267	SIZE A100779	
		WEIGHT	DRAWING NO C=2102248	
		CUSTOMER DRAWING	SCALE 6:1 SHEET 1 OF 2 REV 5	

**STE** TE Connectivity  
 Fortis Zd, 3-PAIR, VERTICAL SHIELDED MODULE ASSEMBLY

THIS DRAWING IS UNPUBLISHED. RELEASED FOR PUBLICATION 20  
 © COPYRIGHT 20 BY - ALL RIGHTS RESERVED.

LOC	DIST	REV	DATE	BY	APPV
-	-	1			
SEE SHEET 1					

1 MATERIAL:  
 CONTACT - BERYLLIUM COPPER ALLOY  
 HOUSING - BLACK LCP  
 SHIELD - NICKEL SILVER PER UNS C77000


2 FINISH:  
 MATING AREA: 1.27µm MIN GOLD OVER  
 3.81µm MIN NICKEL  
 COMPLIANT PIN AREA: 0.5µm MIN 93/7 SnPb OVER  
 1.27µm MIN NICKEL

3 FINISH:  
 MATING AREA: 1.27µm MIN GOLD OVER  
 3.81µm MIN NICKEL  
 COMPLIANT PIN AREA: 0.5µm MIN Sn OVER  
 1.27µm MIN NICKEL

4 DATUMS AND BASIC DIMENSIONS ESTABLISHED BY CUSTOMER.

5 REFERENCE APPLICATION SPEC 114-13267 FOR RECOMMENDED PLATING THRU HOLE DIAMETER AND PLATING THICKNESS.

WEIGHT(g)	DIM "B"	DIM "A"	COMPLIANT PIN PLATING	DESCRIPTION	DIFF PAIRS	PART NUMBER
23.33	116.30	112.10	3	60 COLUMN	180	2-2102248-6
19.58	97.30	93.10	3	50 COLUMN	150	2-2102248-5
15.82	78.30	74.10	3	40 COLUMN	120	2-2102248-4
12.07	59.30	55.10	3	30 COLUMN	90	2-2102248-3
8.32	40.30	36.10	3	20 COLUMN	60	2-2102248-2
4.56	21.30	17.10	3	10 COLUMN	30	2-2102248-1
23.33	116.30	112.10	2	60 COLUMN	180	2102248-6
19.58	97.30	93.10	2	50 COLUMN	150	2102248-5
15.82	78.30	74.10	2	40 COLUMN	120	2102248-4
12.07	59.30	55.10	2	30 COLUMN	90	2102248-3
8.32	40.30	36.10	2	20 COLUMN	60	2102248-2
4.56	21.30	17.10	2	10 COLUMN	30	2102248-1

THIS DRAWING IS A CONTROLLED DOCUMENT.		OWN D. BELACK 23JUL2010	 TE Connectivity
DIMENSIONS: mm		CHK A. TSANG	
TOLERANCES UNLESS OTHERWISE SPECIFIED:		APVD M. McALONIS	NAME Fortis Zd, 3-PAIR, VERTICAL SHIELDED MODULE ASSEMBLY
0 PLC ± 1 PLC ±0.13 2 PLC ±0.05 3 PLC ± 4 PLC ± ANGLES ±2° FINISH		PRODUCT SPEC 108-2409	SIZE CAGE CODE DRAWING NO RESTRICTED TO
MATERIAL		APPLICATION SPEC 114-13267	A100779C=2102248
		WEIGHT	SCALE 6:1 SHEET 2 OF 2 REV 5
		CUSTOMER DRAWING	