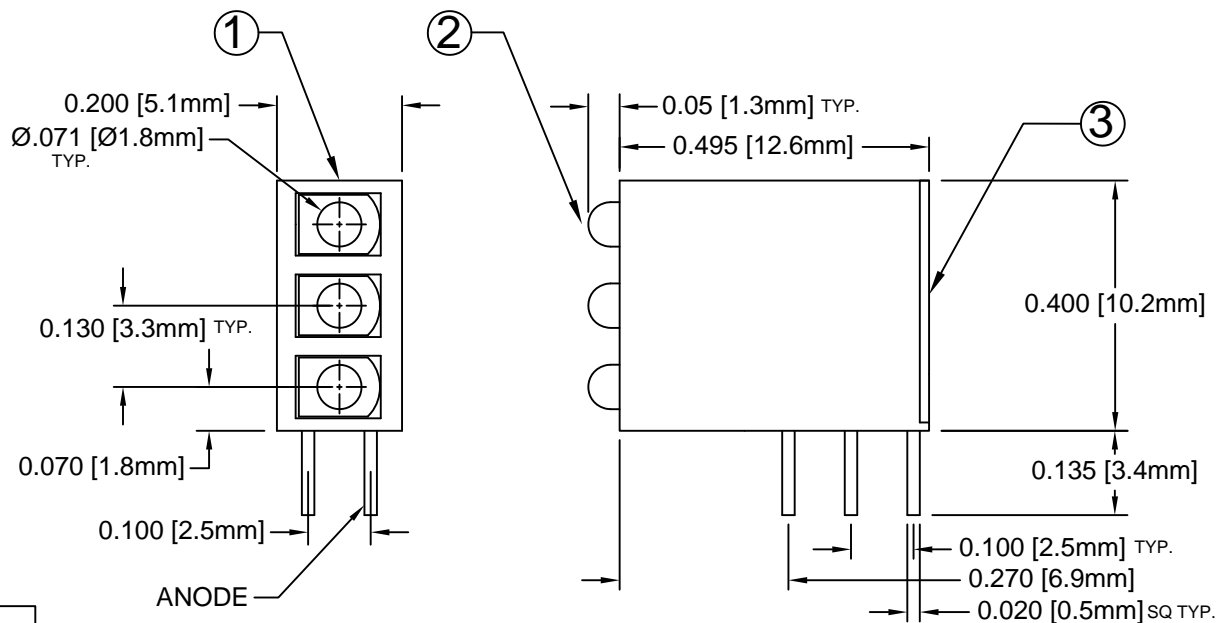


ITEM	Q'TY	PART NUMBER	PART DESCRIPTION
1	1	H-381C	Tri-Level Sub-Miniature (1.8mm) LED 90° Holder
2	3	1.8XXX	1.8 Sub-Miniature Radial LED, See Page 2
3	1	BCH-1020	Backplate

REV.	DESCRIPTION	DATE	APPROVED
C	Added Backplate Feature	10/15/07	M. C.
D	Updated Item Number on Model	01/04/08	M. C.
E	Updated Part Number Designation	08/28/08	M. C.
F	Added 1.8BWD Specs	09/12/08	M. C.
G	Engineering Update w/o Changes	06/24/16	J. C.



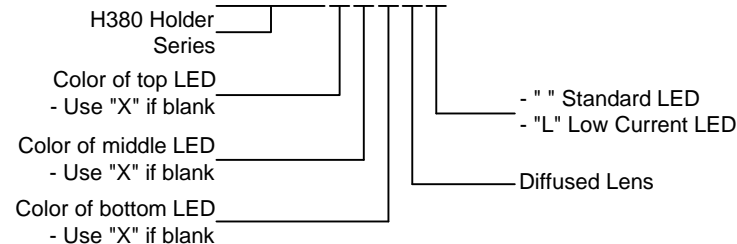
ANODE



DIN 41494 COMPATIBLE  
REVERSE POLARITY

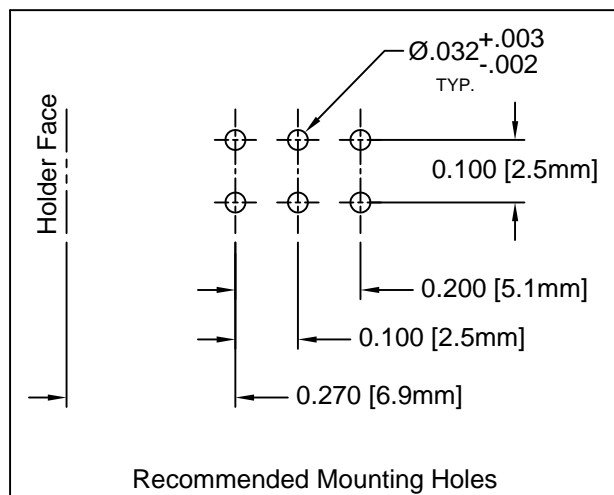
NOTE: P/N DESIGNATION

H380CXXXDX



-If LEDs are the same,  
use e.g. H380CGD

All Green LEDs



Recommended Mounting Holes


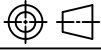
## ABSOLUTE MAXIMUM RATINGS (Ta=25° C)

REVERSE VOLTAGE	5V
REVERSE CURRENT	100uA
OPERATING TEMPERATURE RANGE	-40° C - 80° C
STORAGE TEMPERATURE	-40° C - 100° C
LEAD SOLDERING TEMPERATURE(1/16" FROM BODY)	260° C FOR 5 SECONDS

STANDARD TOLERANCE (UNLESS OTHERWISE SPECIFIED)		BIVAR®	
DECIMALS	ANGULAR	4 THOMAS, IRVINE, CA. 92618	
.X ± .1	X° ± 1°	TEL: (949) 951-8808 FAX: (949) 951-3974	
.XX ± .02		<b>TITLE:</b> SUB-MINIATURE (1.8MM) 90° TRI-LEVEL LED ASSEMBLY	
.XXX ± .010			
DESIGNED: <b>T. Yin</b>	DATE: <b>03/08/04</b>	<b>PART NO:</b> H380CXX	REVISION: <b>G</b>
CHECKED: <b>D. Green</b>	DATE: <b>03/08/04</b>	<b>CAGE CODE :</b> 32559	<b>SHEET #</b> 1 OF 2
CAD GENERATED DOCUMENT. DO NOT MEASURE DRAWING.			

REV.	DESCRIPTION	DATE	APPROVED
	SEE SHEET #1		

LED Assy. No.	Peak Wave Length $\lambda_p$ (nm)	Emitted Color	Lens Appearance	Electro-Optical Data @ 20 mA				Viewing Angle $2\theta \frac{1}{2}$ (Deg)	LED P/N
				If (mA)	Vf (V)		Iv (mcd)		
				TYP	TYP	MAX	TYP		
H380CBWD	430	BLUE	DIFFUSED	20	4.0	4.5	10	50	1.8BWD
H380CGD	568	GREEN	DIFFUSED	20	2.1	2.8	20	50	1.8GD
H380CYD	590	YELLOW	DIFFUSED	20	2.0	2.8	10	50	1.8YD
H380CHD	625	HE RED	DIFFUSED	20	2.0	2.8	20	50	1.8HD
H380CAD	605	AMBER	DIFFUSED	20	2.0	2.8	20	50	1.8AD
<b>LOW CURRENT</b>				Data @ 2 mA					
H380CGDL	568	GREEN	DIFFUSED	2	2.1	2.6	2.0	50	1.8GDL
H380CYDL	590	YELLOW	DIFFUSED	2	2.0	2.6	2.0	50	1.8YDL
H380CHDL	625	HE RED	DIFFUSED	2	2.0	2.6	2.0	50	1.8HDL

STANDARD TOLERANCE (UNLESS OTHERWISE SPECIFIED) $\pm 10\%$ ALL VALUES    ANGULAR		 4 THOMAS, IRVINE, CA. 92618 TEL: (949) 951-8808    FAX: (949) 951-3974	
		 <b>TITLE:</b> SUB-MINIATURE (1.8MM) 90° TRI-LEVEL LED ASSEMBLY	
DESIGNED: <b>T. Yin</b>	DATE: <b>03/08/04</b>	<b>PART NO:</b> H380CXX	REVISION: <b>G</b>
CHECKED: <b>D. Green</b>	DATE: <b>03/08/04</b>	<b>CAGE CODE :</b> 32559	<b>SHEET # 2 OF 2</b>
CAD GENERATED DOCUMENT. DO NOT MEASURE DRAWING.			