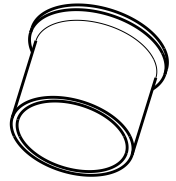
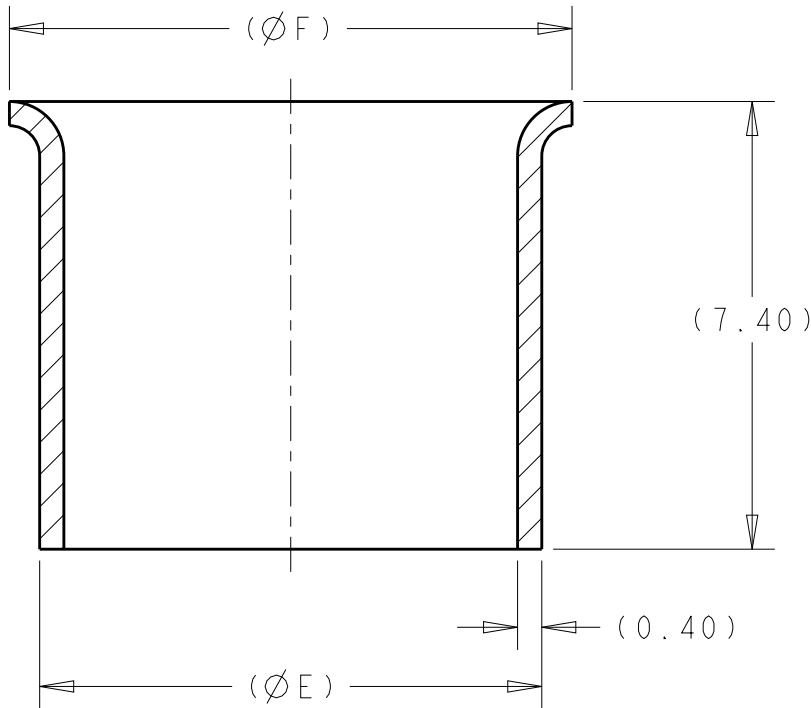


LOC	DIST	REVISIONS					
HV	00	P	LTR	DESCRIPTION	DATE	DWN	APVD
			A1	ECO-10-022743	05NOV2010	DR	DR
			A2	ECO-11-024207	02DEC2011	DR	DR
			A3	ECO-13-012771	08AUG2013	DR	DR



SCALE 2:1

SECTION A - A

- 1 MATERIAL:
TYPE: COPPER ALLOY
2. FINISH:
UNDERPLATE TYPE: NICKEL
TOP PLATE TYPE: TIN
3. PARTS MUST BE FREE OF EXCESSIVE BURRS,
CRACKS, OR OTHER VISUAL IMPERFECTIONS
THAT MAY AFFECT FIT FORM OR FUNCTION

11.3	10.30	0.89g	A	1587723-3
10.3	9.30	0.80g	A	1587723-2
9.3	8.30	0.68g	A	1587723-1
F	E	WEIGHT	REV	PART NO

THIS DRAWING IS UNPUBLISHED.

BY TYCO ELECTRONICS CORPORATION. ALL RIGHTS RESERVED. COPYRIGHT 20

DIMENSIONS: mm	DWN D SIMPSON	02JUN2008	MATERIAL	1	FINISH	
	CHK A TYLER	05JUN2008				
TOLERANCES UNLESS OTHERWISE SPECIFIED:	APVD J. BOLEWITZ	05JUN2008				NAME INNER FERRULE HVA280 MULTI-CORE
0 PLC ±	PRODUCT SPEC		SIZE	CAGE CODE	DRAWING NO	RESTRICTED TO
1 PLC ±0.15	APPLICATION SPEC		A 4	00779	C-1587723	
2 PLC ±0.1			CUSTOMER DRAWING			SCALE 8:1
3 PLC ±						SHEET 1 OF 1
4 PLC ±	WEIGHT SEE TABLE					REV A3
ANGLES ±1°						