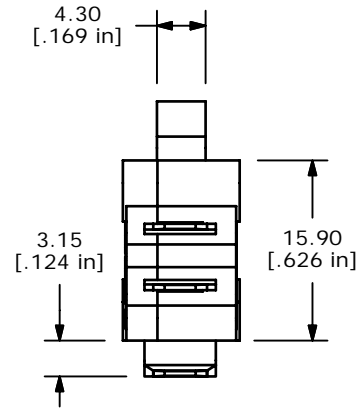
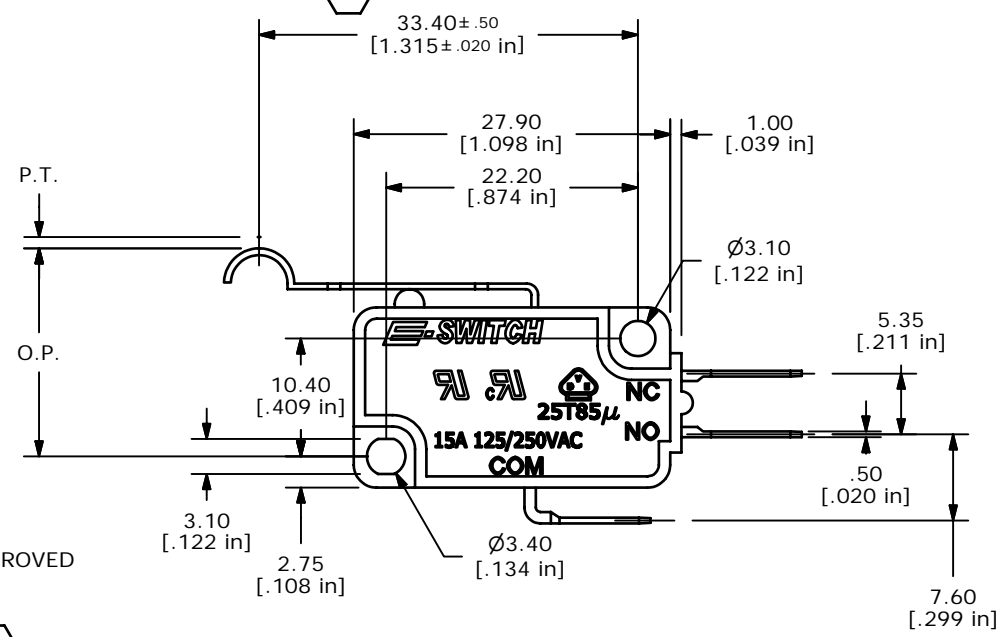
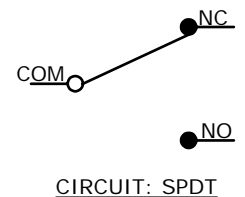


O.P. (MM)	P.T. (MM)
19.0±1.5	5.2 MAX.

O.P. = OPERATING POINT  
P.T. = PRE-TRAVEL



- NOTES:
- ALL DIMENSIONS IN MM [INCH]
  - GENERAL TOLERANCE: X.X=±0.4  
X.XX=±0.25
  - RATING: 15A @125/250VAC UL, CUL, VDE APPROVED
  - OPERATING FORCE: 140±40 GRAMS
  - OPERATING TEMP: -25°C TO 85°C
  - ELECTRICAL LIFE: 50,000 CYCLES MIN.
  - MECHANICAL LIFE: 1,000,000 CYCLES TYP.
  - INSULATION RESISTANCE: 100 MEGA-OHMS MIN.
  - DIELECTRIC STRENGTH: 1500VAC 1 MINUTE (INITIAL VALUE)
  - CONTACT RESISTANCE: 100 MILLI -OHMS MAX.
  - ▲ DENOTES CRITICAL PARAMETER.
  - 2002/95/EC (ROHS) COMPLIANT



REV	PCR NO	DESCRIPTION	DATE	BY
B	15614	CHANGES NOTED	12/19/05	PH
A	14990	RELEASED FOR PRODUCTION	7/6/05	JB

TITLE LS0851504F140C1A				
SCALE	DATE	DR	DWG	REV
1.5:1	7/6/2005	JB	Q950010	B

THE INFORMATION CONTAINED IN THIS DOCUMENT IS PROPRIETARY TO E-SWITCH AND IS NOT TO BE COPIED OR TRANSFERRED