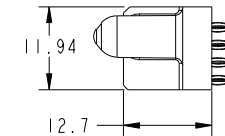
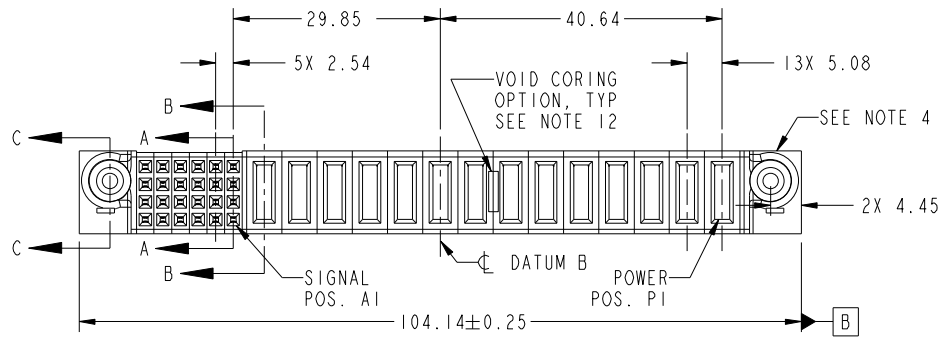


Tous droits strictement reserves. Reproduction ou communication a des tiers interdite sous quelque forme que ce soit sans autorisation écrite du propriétaire. Propriete de c FCI. Droits de reproduction FCI.



All rights strictly reserved. Reproduction or issue to third parties in any form whatever is not permitted without written authority from the proprietor. Property of FCI. Copyright FCI.

PRODUCT NO.	ROWS	SIGNAL					POWER										E1						
		E2	6	5	4	3	2	1	P14	P13	P12	P11	P10	P9	P8	P7		P6	P5	P4	P3	P2	P1
51940-248-- NOTE: 3	D C B A		F	F	F	F	F	F	PC	PC	PC	PC	PC	PC	PC	PC	PC	PC	PC	PC	PC	PC	



CODE	DIM "M" MATING LENGTH	CONTACT TYPE
PC	[1.07]	POWER
F	[N/A]	SIGNAL

mat'l code				SEE NOTES		tolerances unless otherwise specified		CUSTOMER		 www.fciconnect.com	
ltr	ecn no.	dr	date	linear	0.X ± 0.5	projection	COPY		title		
A	DG08-0097	JMG	03/14/08	angles	0.XX ± 0.25		MIM		14P + 24S VERTICAL PRESS-FIT RECEPT		
				dr	0.XXX ± 0.1		product family	PwrBlade	code		
				enr	0° ± 2°	scale	size	dwg no	213		
				chr	JM GUO 03/14/08	1:1	A	51940-248	sheet		
				appd	JEROME CHEN 03/14/08				1 of 4		
					Gary Hsieh 03/14/08						
					Joseph Hsia 03/14/08						
sheet index	revision sheet	A	A	A	A				cage code		
		1	2	3	4				22526		

Pro/E

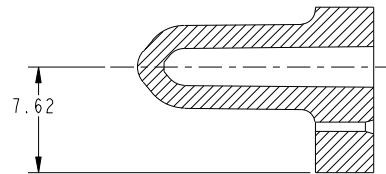
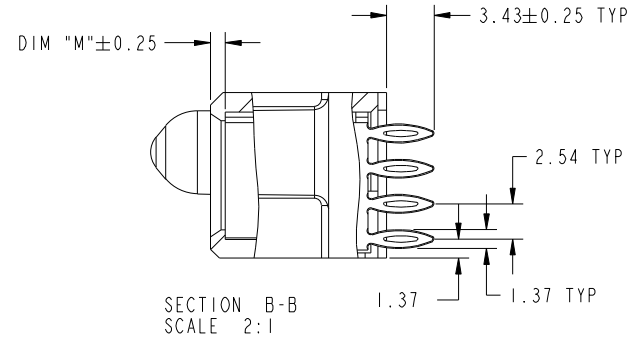
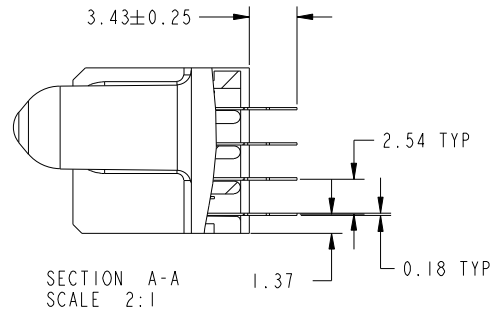
cage code 22526

Tous droits strictement reserves. Reproduction ou communication a des tiers interdite sous quelque forme que ce soit sans autorisation écrite du propriétaire. Propriete de c FCI. Droits de reproduction FCI.



All rights strictly reserved. Reproduction or issue to third parties in any form whatever is not permitted without written authority from the proprietor. Property of FCI. Copyright FCI.

PRODUCT NUMBER  
51940-248--  
NOTE: 3



mat'l code				tolerances unless otherwise specified		CUSTOMER			
ltr	ecn no.	dr	date	linear	0.X ±0.5	COPY		www.fciconnect.com	
A					0.XX ±0.25	projection		title 14P + 24S	
				angles	0.XXX ±0.1			VERTICAL PRESS-FIT RECEIPT	
				dr	0° ±2°	MIM		product family PwrBlade code	
				enr	JM GUO 03/14/08	← MIM →		size 213	
				enr	JEROME CHEN 03/14/08	scale		dwg no 51940-248 sheet	
				chr	Gary Hsieh 03/14/08	1:1		2 of 4	
				appd	Joseph Hsia 03/14/08				
sheet index		revision sheet							

cage code 22526

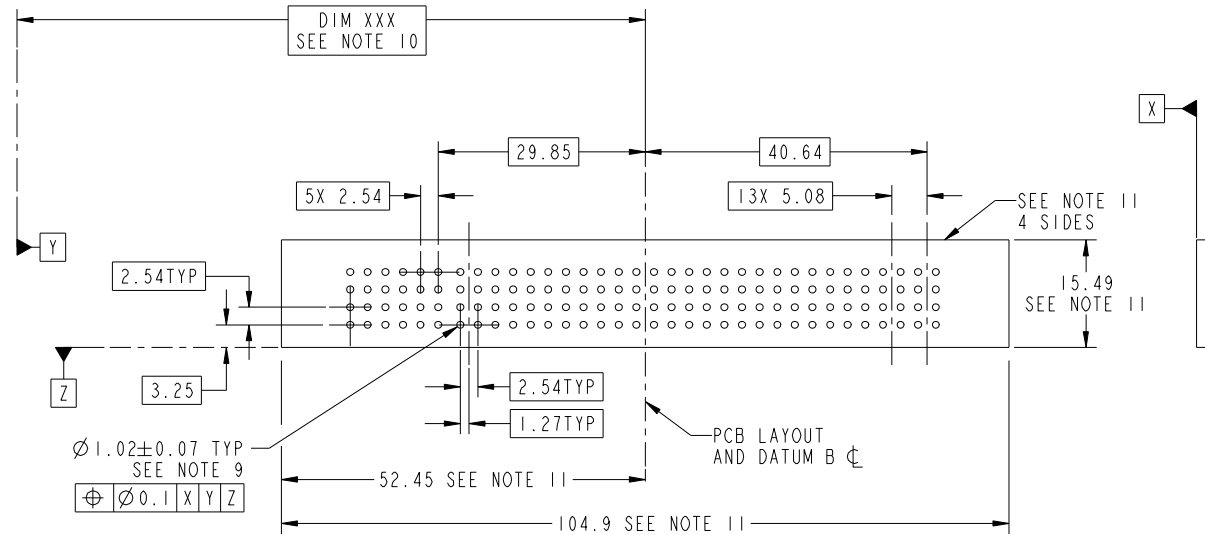
Pro/E

Tous droits strictement reserves. Reproduction ou communication a des tiers interdite sous quelque forme que ce soit sans autorisation écrite du propriétaire. Propriete de c FCI. Droits de reproduction FCI.



All rights strictly reserved. Reproduction or issue to third parties in any form whatever is not permitted without written authority from the proprietor. Property of FCI. Copyright FCI.

PRODUCT NUMBER  
51940-248--  
NOTE: 3



RECOMMENEC PCB LAYOUT

mat'l code				tolerances unless otherwise specified		CUSTOMER		FCI	
ltr	ecn no.	dr	date	linear	0.X ± 0.5	COPY		www.fciconnect.com	
A					0.XX ± 0.25	projection		title	
				angles	0.XXX ± 0.1			14P + 24S VERTICAL PRESS-FIT RECEIPT	
				dr	0° ± 2°	MIM		product family PwrBlade code	
				enr	JM GUO 03/14/08	scale		size	
				chr	JEROME CHEN 03/14/08	1:1		dwg no	
				appd	Gary Hsieh 03/14/08			51940-248	
					Joseph Hsia 03/14/08			sheet	
sheet index		revision sheet						3 of 4	

cage code 22526

Pro/E

Tous droits strictement reserves. Reproduction ou communication a des tiers interdite sous quelque forme que ce soit sans autorisation écrite du propriétaire. Propriete de c FCI. Droits de reproduction FCI.



All rights strictly reserved. Reproduction or issue to third parties in any form whatever is not permitted without written authority from the proprietor. Property of FCI. Copyright FCI.

PRODUCT NUMBER  
51940-248--  
NOTE: 3

NOTES:

1. DIMENSIONS AND TOLERANCES ARE IN ACCORDANCE WITH ASME Y14.5M, 1994 UNLESS OTHERWISE SPECIFIED.

CONNECTOR NOTES:

- ② HOUSING MATERIAL: UL 94 V-0 GLASS FILLED HIGH-TEMP THERMOPLASTIC  
POWER CONTACT MATERIAL: COPPER ALLOY  
SIGNAL PIN MATERIAL: COPPER ALLOY
- 3. PLATING SPEC.  
51940-248, 51940-248LF PLATING SPEC. WAS SHOWN IN THE PRINT OF 10064183.
- ④ MANUFACTURER'S NAME, P/N, AND DATE CODE TO APPEAR ON THIS SURFACE.
- 5. PRODUCT SPECIFICATION GS-12-149.  
APPLICATION SPECIFICATION BUS-20-067.

6. PACKAGED IN TRAYS.

PCB NOTES:

7. ALL HOLE DIAMETERS ARE FINISHED HOLE SIZE.

⑧ MOUNTING HOLES, WHERE APPLICABLE, ARE UNPLATED.

⑨  $\varnothing 1.151 \pm 0.025$  DRILLED HOLES PLATED WITH  
0.008 MIN SnPb OR Sn OVER 0.03  
TO 0.08 Cu PLATING TO ACHIEVE  
 $\varnothing 1.02 \pm 0.07$  HOLE.

⑩ "DIM XXX" TO BE DETERMINED BY THE CUSTOMER.

⑪ CONNECTOR KEEP-OUT ZONE.

12. THE VOID CORING IN BETWEEN POWER MODULES, SIGNAL MODULES AND END MODULES ARE OPTIONAL AND THE SHAPE MAY BE DIFFERENT FOR OPTIMIZE THE MOLDING PROCESS. THE VOID CORING WILL NOT EFFECT TO PRODUCT FUNCTION.

mat'l code				tolerances unless otherwise specified		CUSTOMER		FCI	
ltr	ecn no.	dr	date	linear	0.X ± 0.5	COPY		www.fciconnect.com	
A					0.XX ± 0.25	projection		title	
				angles	0.XXX ± 0.1			14P + 24S	
				dr	0° ± 2°	MIM		VERTICAL PRESS-FIT RECEPT	
				enr	JM GUO 03/14/08	product family		PwrBlade	code
				enr	JEROME CHEN 03/14/08	size		dwg no	213
				chr	Gary Hsieh 03/14/08	scale		51940-248	sheet
				appd	Joseph Hsia 03/14/08	1:1		A	4 of 4
sheet index	revision sheet								

cage code 22526

Pro/E