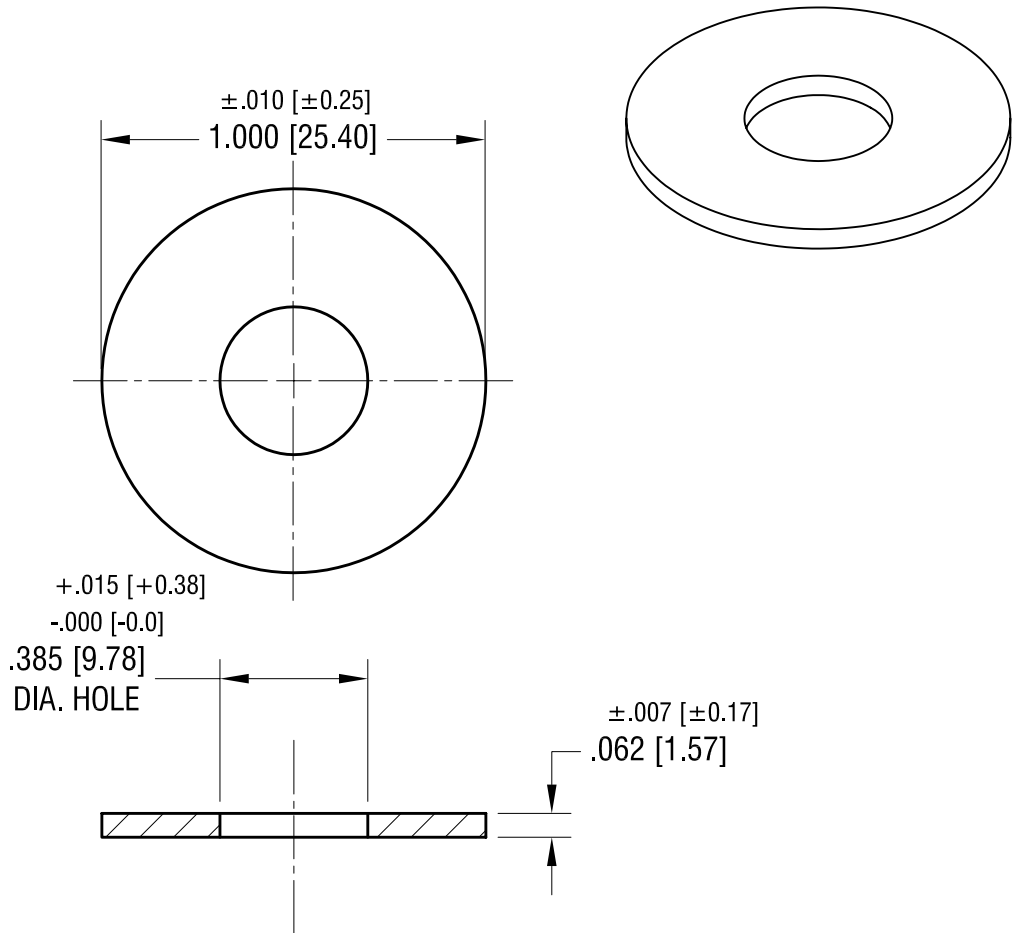


THIS DOCUMENT IS THE PROPERTY OF
KEYSTONE ELECTRONICS CORP. AND
SHALL NOT BE REPRODUCED, DISTRIBUTED
OR USED AS A BASIS FOR MANUFACTURE
WITHOUT PRIOR WRITTEN PERMISSION
FROM KEYSTONE ELECTRONICS CORP.



KEYSTONE ELECTRONICS CORP.

www.keyelco.com • ASTORIA, N.Y. 11105-2017 • Tel (718) 956-8900

PART NAME		FLAT WASHER	
MATERIAL		FIBER	
FINISH	-	DRN BY	BOONE
		APP'D	LN
		DATE	8.23.82
		SCALE	2X
TOLERANCES	INCH [MM]	CODE	DWG NO.
DECIMAL	$\pm .005$ [± 0.15]	C/M	3224
ANGULAR	$\pm 1^\circ$	UNLESS OTHERWISE SPECIFIED	

10.29.03	CHANGE AS PER ECN 03-079	B
9.15.94	CHANGE AS PER ECN 94-053	A
DATE	DESCRIPTION	REV.