

VIEW ON MATING SIDE

A	A	A	A	A	A	A	A	A	A	A	A	A	A	A	A	A	A	A	A
A	A	A	A	A	A	A	A	A	A	A	A	A	A	A	A	A	A	A	A
A	A	A	A	A	A	A	A	A	A	A	A	A	A	A	A	A	A	A	A

- 2 3 4 5 6 7 8 9 10 = 11 12 13 14 15

A = 48 STANDARD CONTACTS L = 2.9

MARKING	STANDARD
PERFORMANCE LEVEL	G1/O = CONTACT AREA LEVEL I / TERMINATION TIN
FLUX PROOF	NO
FIXING CLIP	NO
DIMENSIONS	E-85013-0002 SHT 1-2

A	G1/O	a1-16 b1-16 c1-16
CONTACT SYMBOL	PERFORMANCE LEVEL	CONTACT POSITION NUMBER

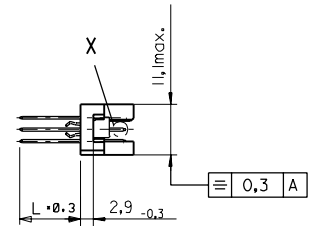
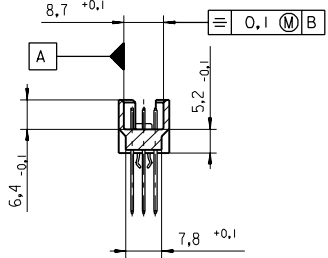
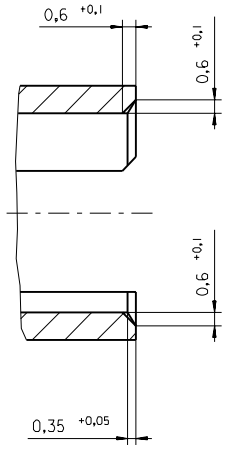
SL. NO.	DESCRIPTION	CONTACT SYMBOL	PART NUMBER	QTY
1	HOUSING		36520-0002	1
2	TERMINAL	A	36527-0004	48

ENTER DESCRIPTION ELC NCL 12005 0313 DRAWING: MAHARAJ 2004/10/16 CHKD: SSUDHIR 2004/10/29 APPR: PRASAD 2005/11/09	QUALITY SYMBOLS 	GENERAL TOLERANCES (UNLESS SPECIFIED)		DIMENSION STYLE IN/MM	SCALE ---	DESIGN UNITS INCH	THIRD ANGLE PROJECTION		
		4 PLACES ±---± 3 PLACES ±---± 2 PLACES ±---± 1 PLACE ±---±	mm INCH ±---± ±---± ±---± ±---± ±---± ±---±	DRAWN BY SS	DATE 2004/03/31	TITLE 48 POS. MALE CONNECTOR ACC. DIN 41612 STYLE R/2 CONTACTS			
		ANGULAR ±---°		CHECKED BY SSUDHIR	DATE 2004/03/31				
		DRAFT WHERE APPLICABLE MUST REMAIN WITHIN DIMENSIONS		APPROVED BY SSUDHIR	DATE 2004/03/31	MATERIAL NO. ENTER PART	DOCUMENT NO. E-85013-2127	SHEET NO. 1 OF 1	

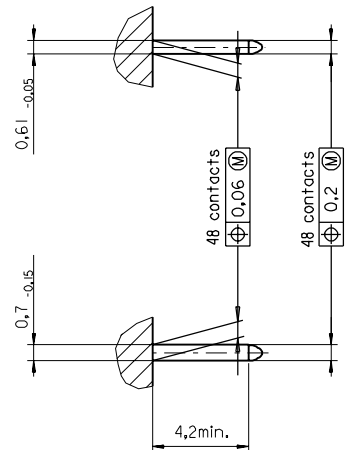
THIS DRAWING CONTAINS INFORMATION THAT IS PROPRIETARY TO MOLEX INCORPORATED AND SHOULD NOT BE USED WITHOUT WRITTEN PERMISSION

PART NO.
DWG. NO.

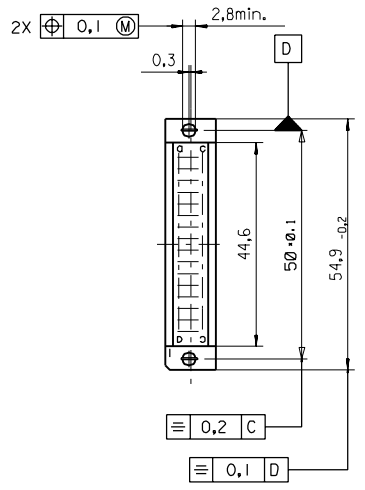
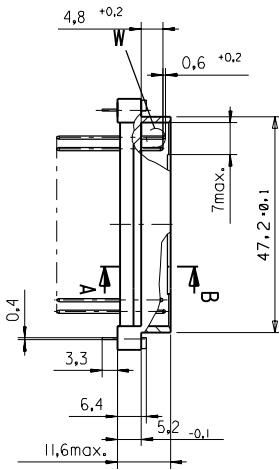
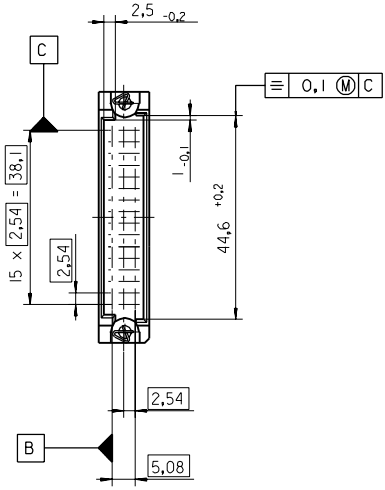
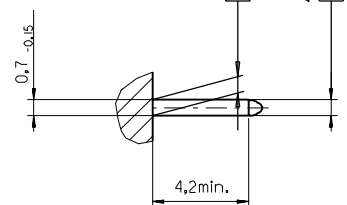
Section A - B
5:1



View X
5:1



View W
5:1



FIRST ANGLE PROJECTION		REVISE ONLY ON CAD SYSTEM		SH.	REV.
first release see ECN No. 1887	L TR FOR PREVIOUS REVISIONS SEE MRI LIST	UNLESS OTHERWISE SPECIFIED TOLERANCES: ANGULAR ± 2°	DRWG BY Ca	CAD/CAM PROJECT NAME 85013000 821	
		INCH METRIC	CHK'D BY KN	THIS DRAWING CONTAINS INFORMATION THAT IS PROPRIETARY TO MOLEX INC. & SHOULD NOT BE USED WITHOUT WRITTEN PERMISSION	
		3 PLACE ± . ±		TITLE 48 pos. Male connector acc. DIN 41612 style R/2 Dimensions	
		2 PLACE ± . ±		SHEET NO. DATE 1 OF 95/06/08	
		1 PLACE ± . ±		MOLEX MOLEX EUROPE	
		DRAFT WHERE APPLICABLE MUST REMAIN WITHIN DIMENSIONS		PART NO. DWG NO. SIZE	
		DESIGN DIMENSION <input checked="" type="checkbox"/> MM <input type="checkbox"/> IN.		SDA-85013-0002 B	
		EQUIVALENT DIMENSION <input type="checkbox"/> MM <input type="checkbox"/> IN.			
		IF TWO DIMENSIONS ARE SHOWN THE UPPER IS THE DESIGN DIMENSION, LOWER IS SECONDARY			

VIEW ON MATING SIDE

⊂	A	A	A	A	A	A	A	A	A	A	A	A	A	A	A	A	A	A	A
⊃	A	A	A	A	A	A	A	A	A	A	A	A	A	A	A	A	A	A	A
⊄	A	A	A	A	A	A	A	A	A	A	A	A	A	A	A	A	A	A	A

1 2 3 4 5 6 7 8 9 10 11 12 13 14 15 16 17 18 19 20 21 22 23 24 25 26 27 28 29 30 31 32 33 34 35 36 37 38 39 40 41 42 43 44 45 46 47 48 49 50 51 52 53 54 55 56 57 58 59 60 61 62 63 64 65 66 67 68 69 70 71 72 73 74 75 76 77 78 79 80 81 82 83 84 85 86 87 88 89 90 91 92 93 94 95 96 97 98 99 100

A = 48 STANDARD CONTACTS L-2,9

Marking	Standard
Performance level	G1/0 = Contact area perform. level / Termination tin
Flux proof	no
Fixing clip	no
Dimensions	SDA-85013-0002 sht.1
Technical Data	PS-85013-0001

A	G1/0	a1-16	b1-16	c1-16
Contact symbol	Perform. level	Contact position number		

first release see ECN No. 2453	REVISIONS		FOR PREVIOUS REVISIONS SEE MRI LIST	
	LTR	Δ		
UNLESS OTHERWISE SPECIFIED TOLERANCES: ANGULAR ± 2° INCH METRIC	DRWG BY	SIGN	CAD/CAM PROJECT NAME	SH. REV.
3 PLACE ± .	Ca		s8501321	THIS DRAWING CONTAINS INFORMATION THAT IS PROPRIETARY TO MOLEX INC. & SHOULD NOT BE USED WITHOUT WRITTEN PERMISSION
2 PLACE ± .	CHK'D BY	SIGN	s21	
1 PLACE ± .	KN			
DRAFT WHERE APPLICABLE MUST REMAIN WITHIN DIMENSIONS	APP'D BY	SIGN		
DESIGN DIMENSION <input type="checkbox"/> MM <input type="checkbox"/> IN.	JB			
EQUIVALENT DIMENSION <input type="checkbox"/> MM <input type="checkbox"/> IN.	SCALE			
IF TWO DIMENSIONS ARE SHOWN, THE UPPER IS THE DESIGN DIMENSION, LOWER IS SECONDARY				
TITLE		SHEET NO.		DATE
48 pos. Male connector acc. DIN 41612 style R/2 contacts arrangement		10		97/04/09
PART NO.		DWG NO.		SIZE
85013-2127		SDA-85013-2127		A